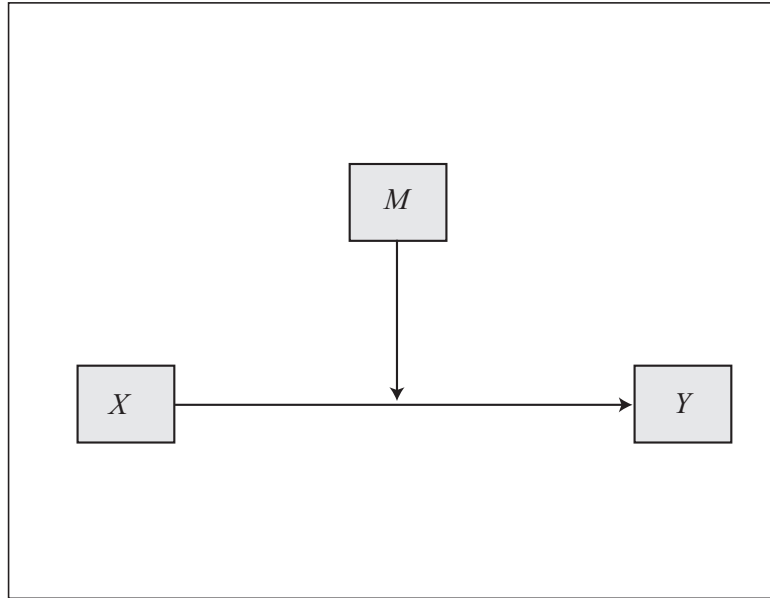
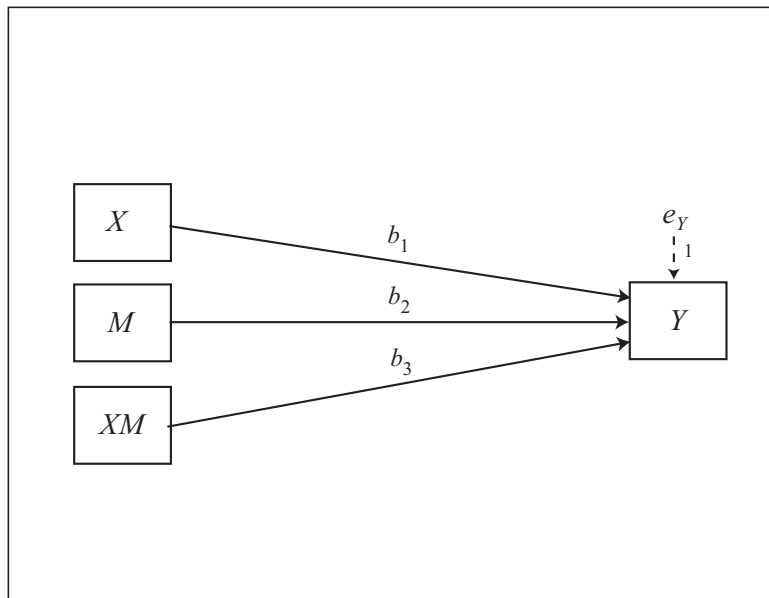


Model 1

Conceptual Diagram



Statistical Diagram

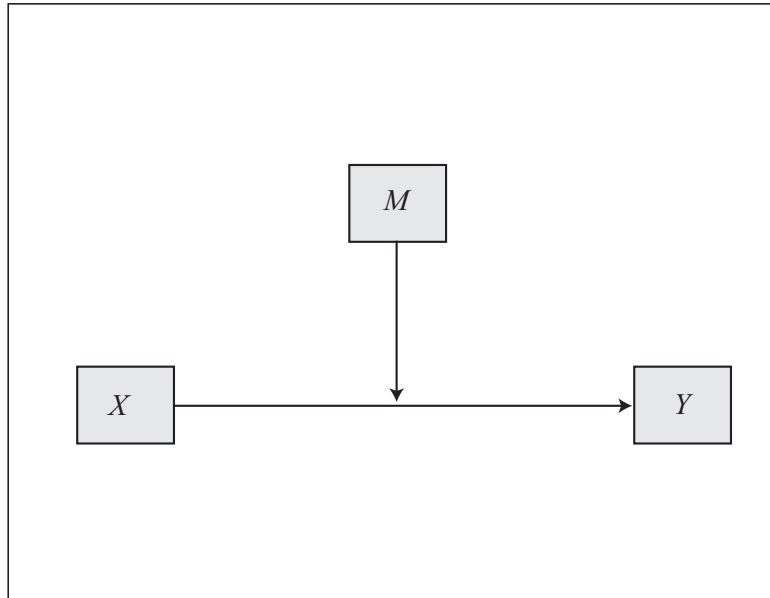


Conditional effect of X on $Y = b_1 + b_3M$

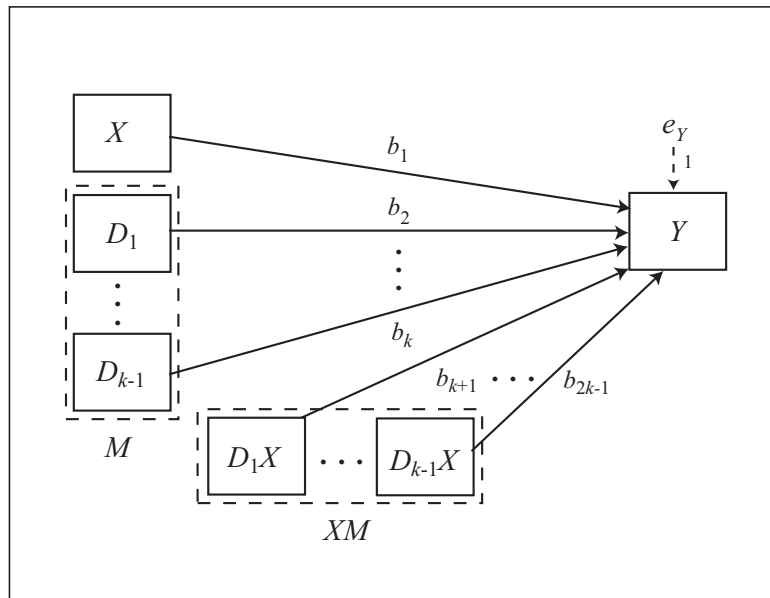
Model 1

Multicategorical M with k categories
(PROCESS v2.14 or later)

Conceptual Diagram



Statistical Diagram

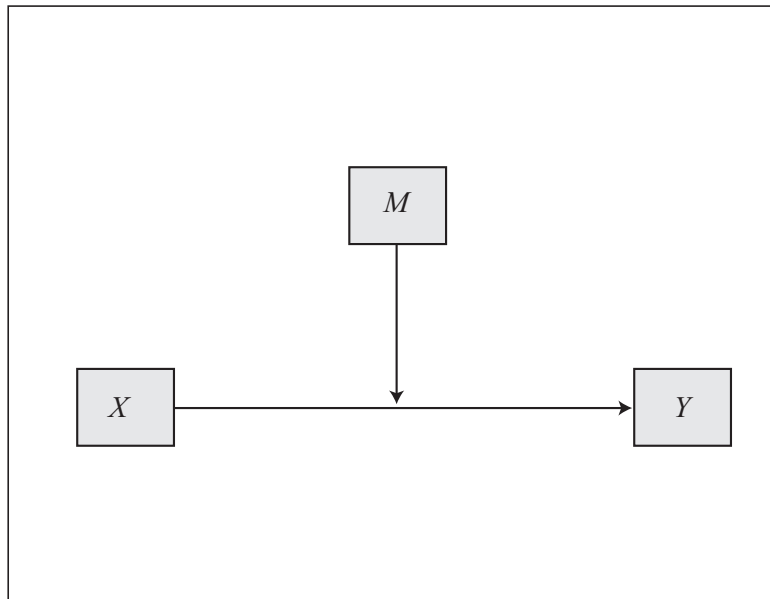


$$\text{Conditional effect of } X \text{ on } Y = b_1 + b_{k+1}D_1 + \dots + b_{2k-1}D_{k-1}$$

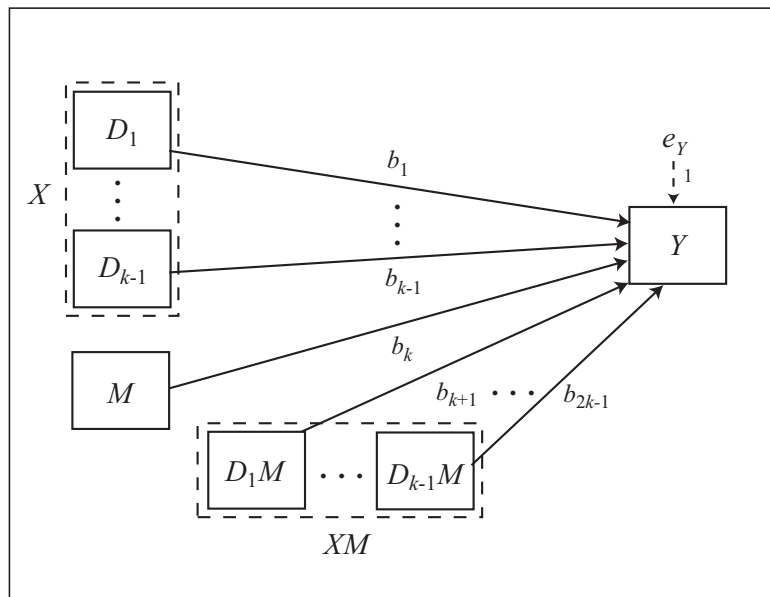
Model 1

Multicategorical X with k categories
 (PROCESS v2.14 or later)

Conceptual Diagram



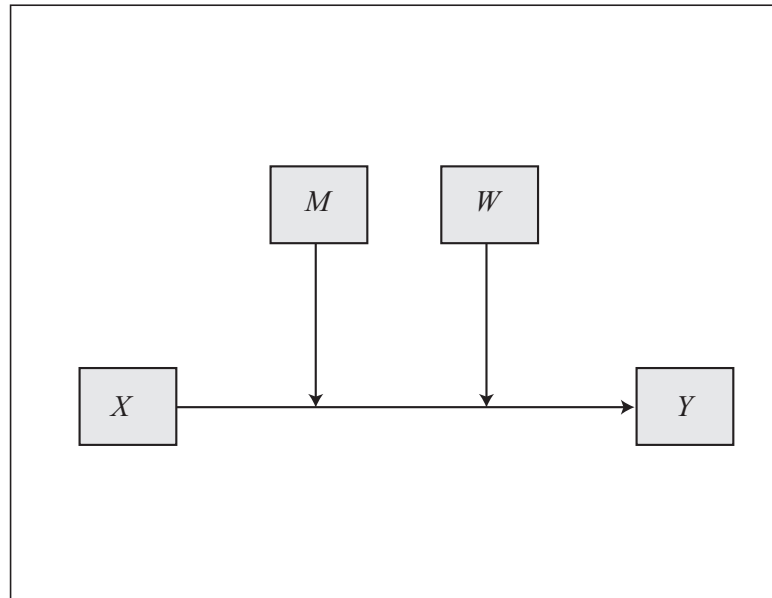
Statistical Diagram



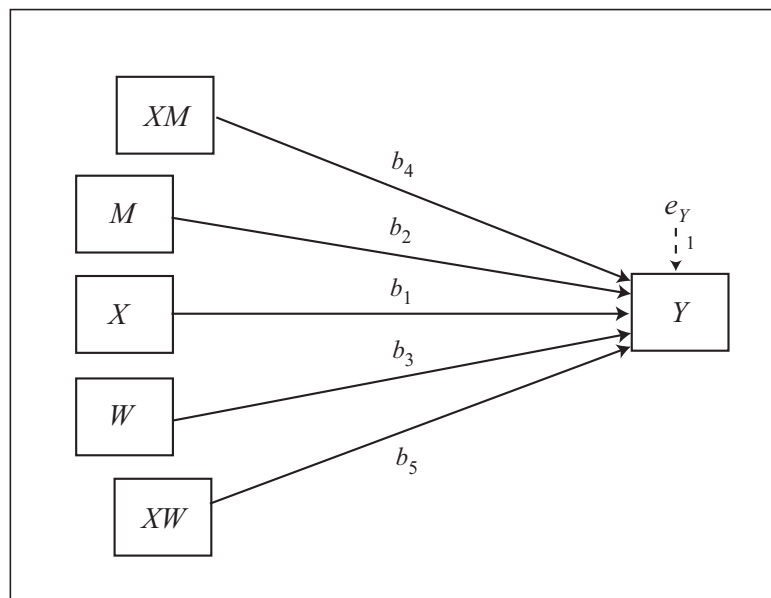
$$\text{Conditional effect of } X \text{ on } Y = \begin{cases} b_1 + b_{k+1}M \\ \vdots \\ b_{k-1} + b_{2k-1}M \end{cases}$$

Model 2

Conceptual Diagram



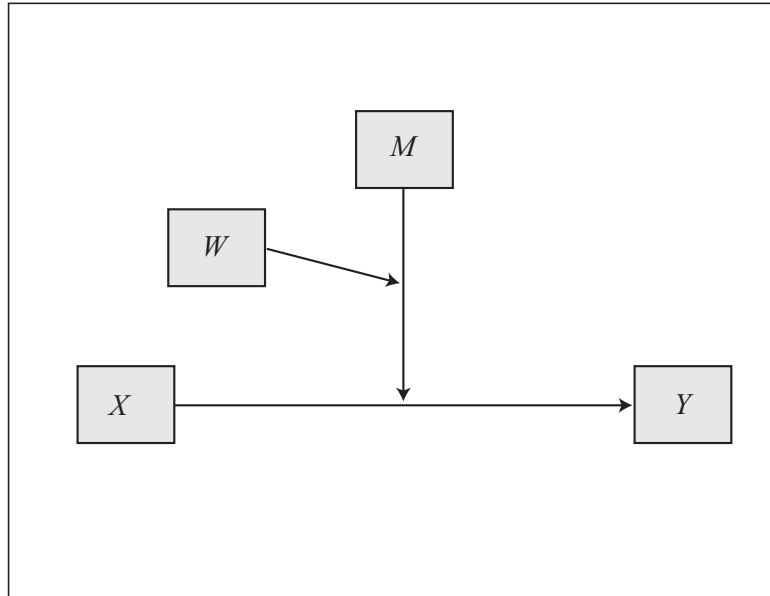
Statistical Diagram



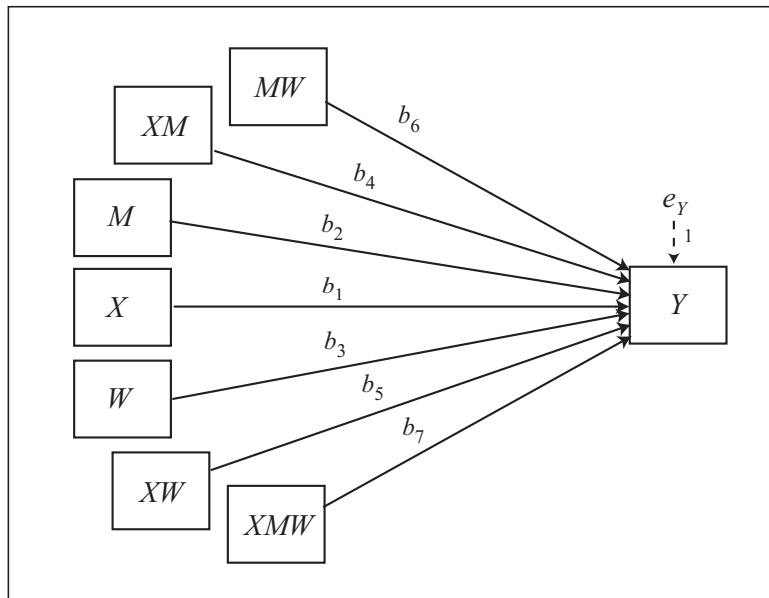
Conditional effect of X on $Y = b_1 + b_4M + b_5W$

Model 3

Conceptual Diagram



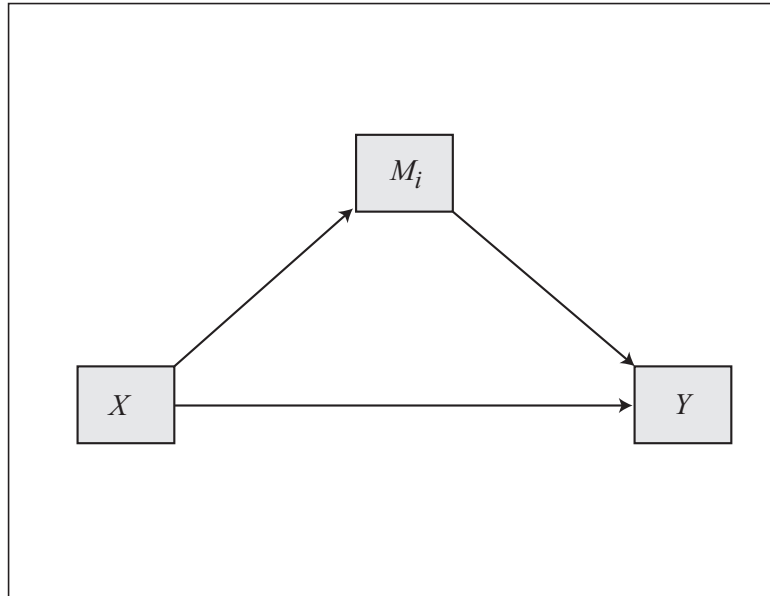
Statistical Diagram



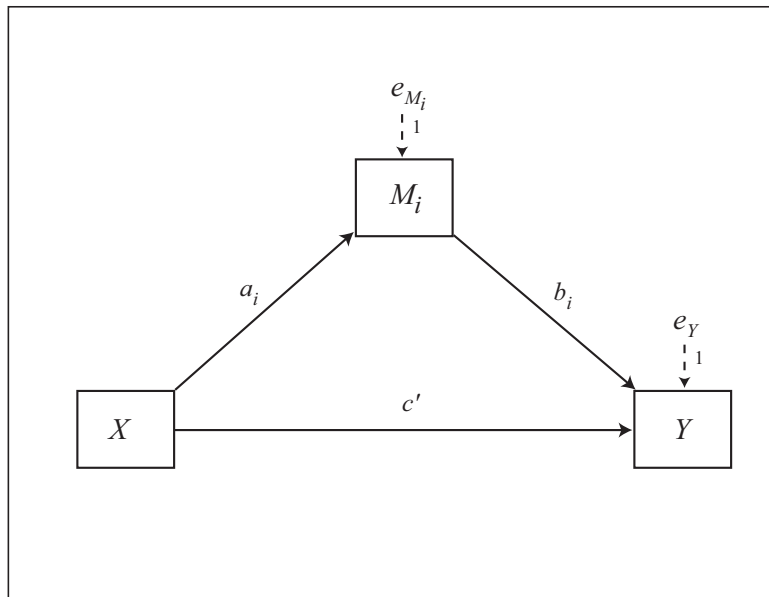
$$\text{Conditional effect of } X \text{ on } Y = b_1 + b_4M + b_5W + b_7MW$$

Model 4

Conceptual Diagram



Statistical Diagram



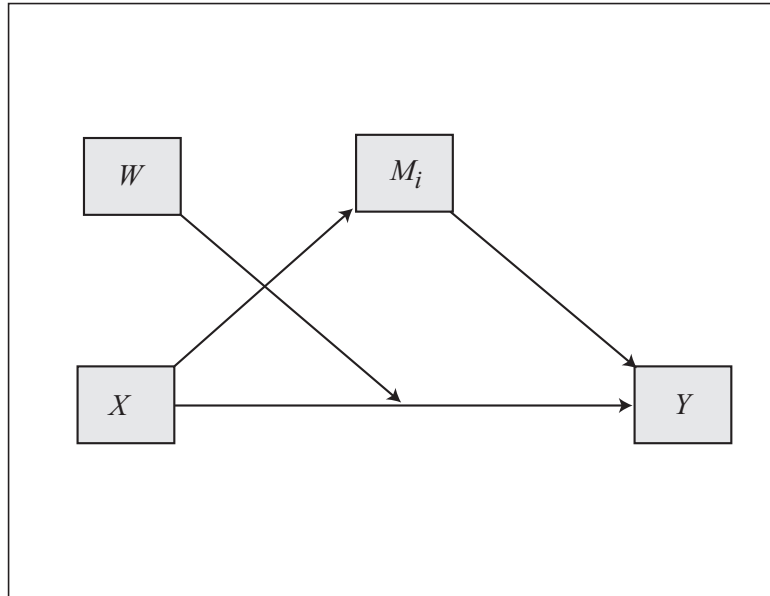
Indirect effect of X on Y through $M_i = a_i b_i$

Direct effect of X on $Y = c'$

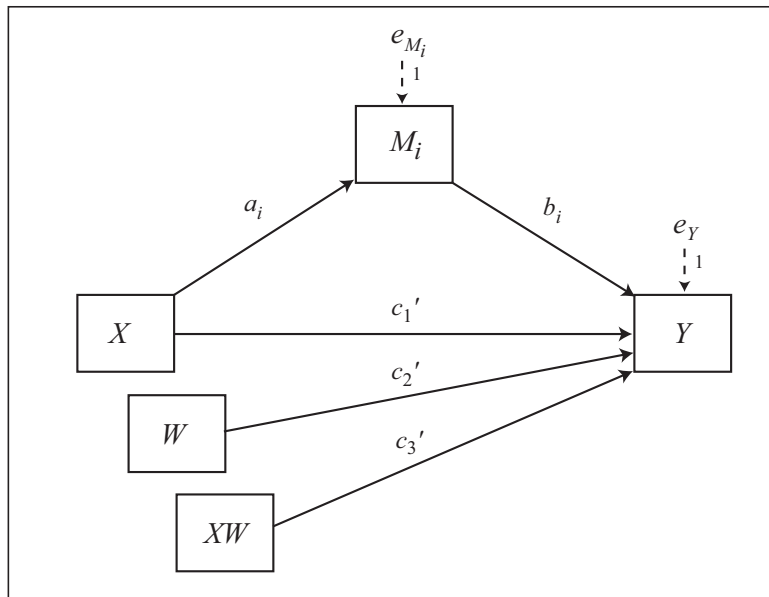
Note: Model 4 allows up to 10 mediators operating in parallel.

Model 5

Conceptual Diagram



Statistical Diagram



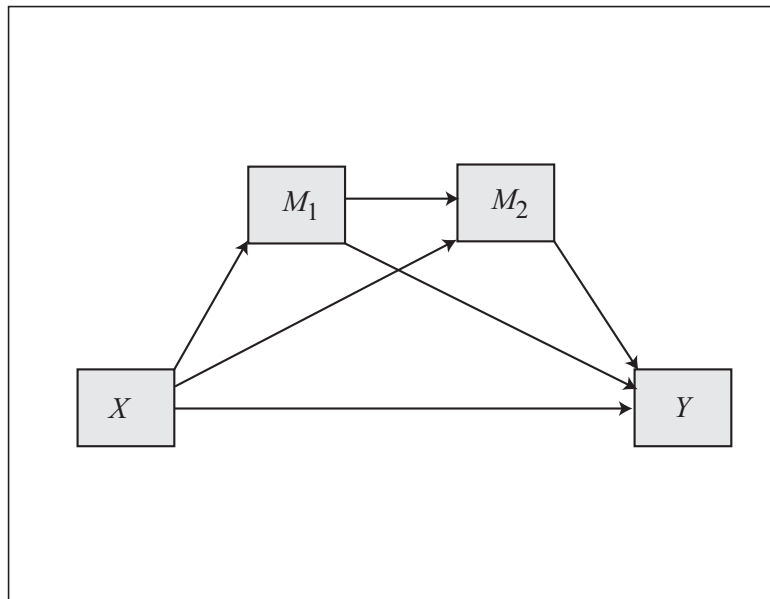
Indirect effect of X on Y through $M_i = a_i b_i$

Conditional direct effect of X on $Y = c_1' + c_3'W$

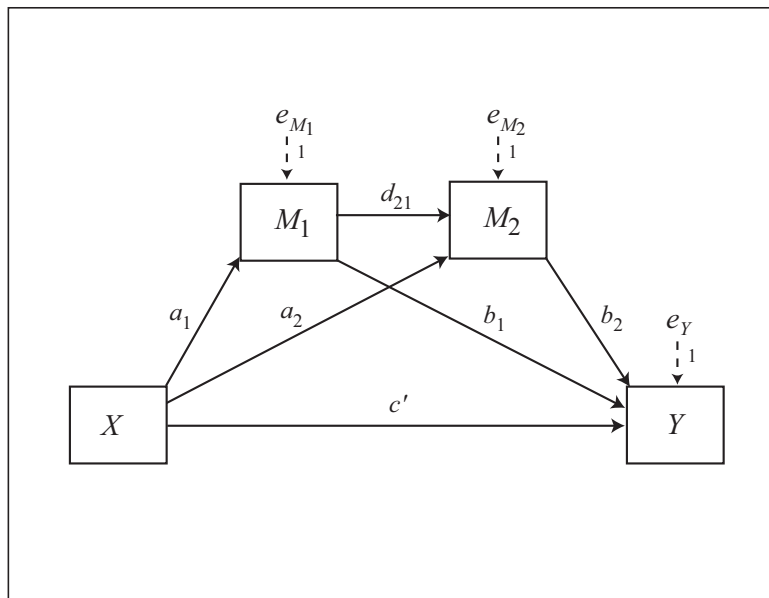
*Model 5 allows up to 10 mediators operating in parallel

Model 6
(2 mediators)

Conceptual Diagram



Statistical Diagram



Indirect effect of X on Y through M_i only = $a_i b_i$

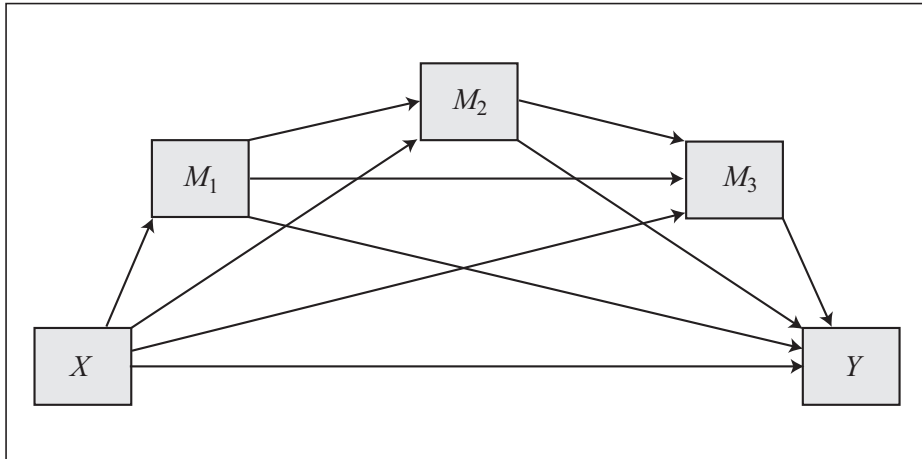
Indirect effect of X on Y through M_1 and M_2 in serial = $a_1 d_{21} b_2$

Direct effect of X on Y = c'

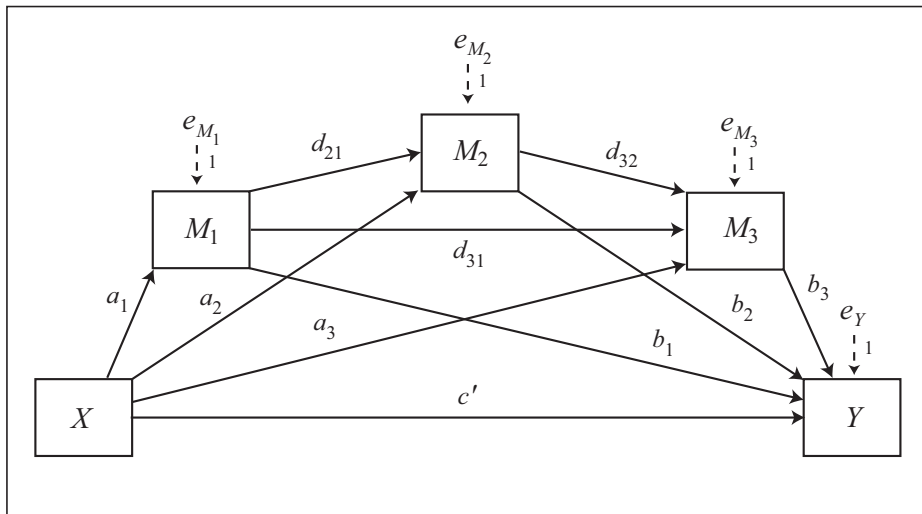
Note: Model 6 allows up to 4 mediators operating in serial.

Model 6
 (3 mediators)

Conceptual Diagram



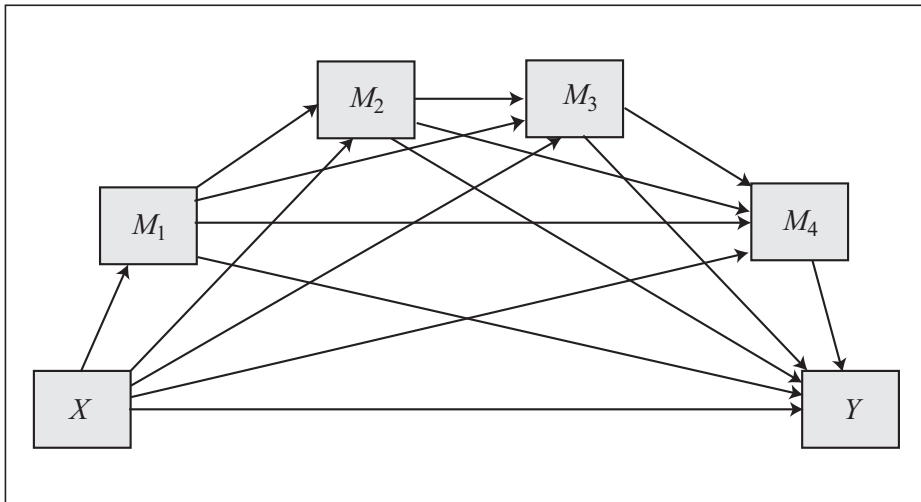
Statistical Diagram



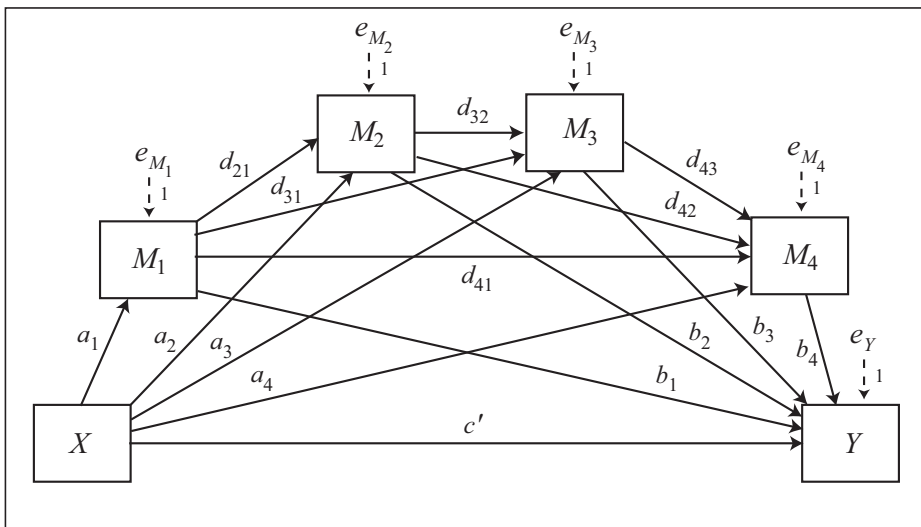
- Indirect effect of X on Y through M_i only = $a_i b_i$
- Indirect effect of X on Y through M_1 and M_2 in serial = $a_1 d_{21} b_2$
- Indirect effect of X on Y through M_1 and M_3 in serial = $a_1 d_{31} b_3$
- Indirect effect of X on Y through M_2 and M_3 in serial = $a_2 d_{32} b_3$
- Indirect effect of X on Y through M_1 , M_2 , and M_3 in serial = $a_1 d_{21} d_{32} b_3$
- Direct effect of X on Y = c'

Model 6
 (4 mediators)

Conceptual Diagram



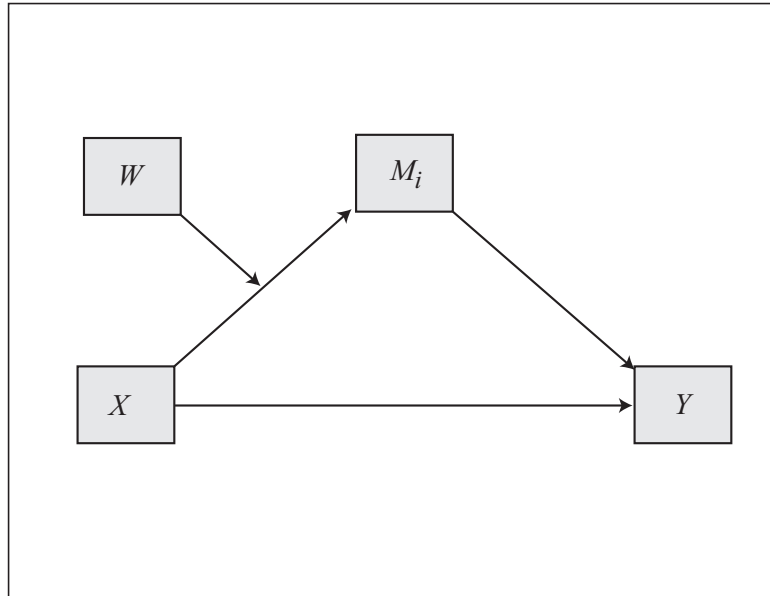
Statistical Diagram



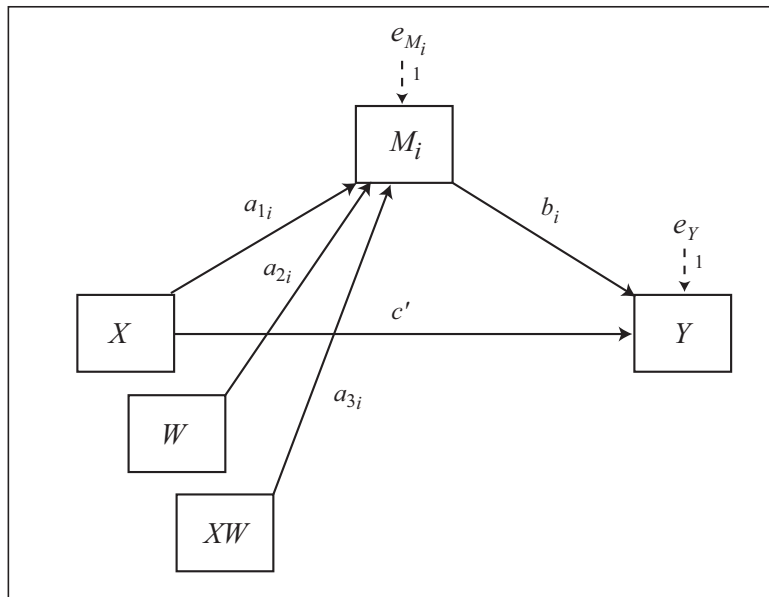
- Indirect effect of X on Y through M_i only = $a_i b_i$
- Indirect effect of X on Y through M_1 and M_2 in serial = $a_1 d_{21} b_2$
- Indirect effect of X on Y through M_1 and M_3 in serial = $a_1 d_{31} b_3$
- Indirect effect of X on Y through M_1 and M_4 in serial = $a_1 d_{41} b_4$
- Indirect effect of X on Y through M_2 and M_3 in serial = $a_2 d_{32} b_3$
- Indirect effect of X on Y through M_2 and M_4 in serial = $a_2 d_{42} b_4$
- Indirect effect of X on Y through M_3 and M_4 in serial = $a_3 d_{43} b_4$
- Indirect effect of X on Y through $M_1, M_2,$ and M_3 in serial = $a_1 d_{21} d_{32} b_3$
- Indirect effect of X on Y through $M_1, M_2,$ and M_4 in serial = $a_1 d_{21} d_{42} b_4$
- Indirect effect of X on Y through $M_1, M_3,$ and M_4 in serial = $a_1 d_{31} d_{43} b_4$
- Indirect effect of X on Y through $M_2, M_3,$ and M_4 in serial = $a_2 d_{32} d_{43} b_4$
- Indirect effect of X on Y through $M_1, M_2, M_3,$ and M_4 in serial = $a_1 d_{21} d_{32} d_{43} b_4$
- Direct effect of X on $Y = c'$

Model 7

Conceptual Diagram



Statistical Diagram



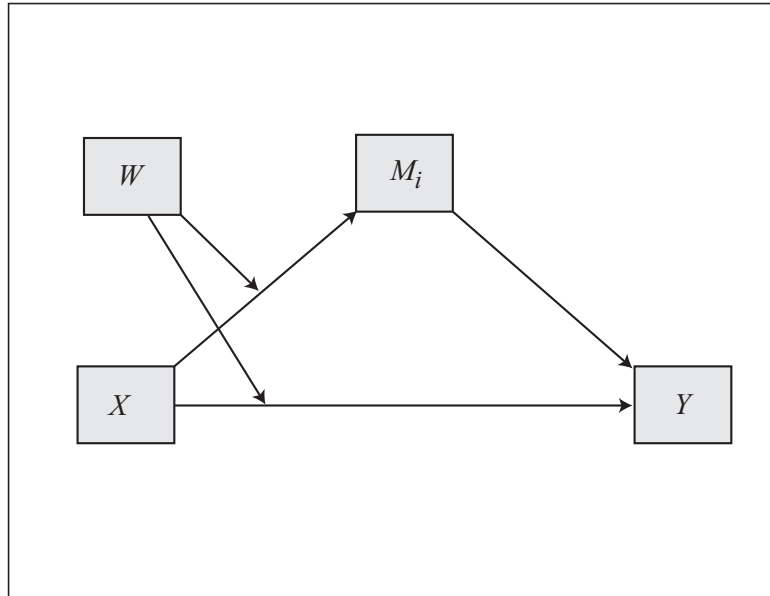
Conditional indirect effect of X on Y through $M_i = (a_{1i} + a_{3i}W)b_i$

Direct effect of X on $Y = c'$

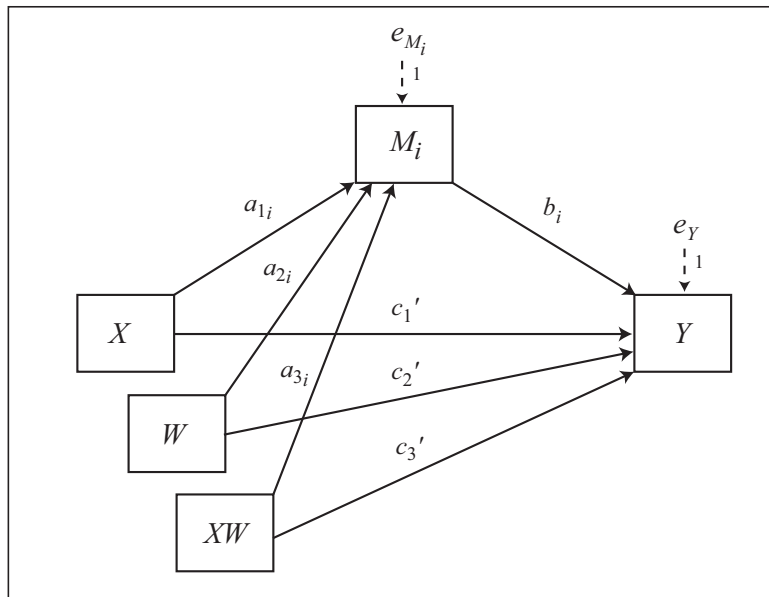
Note: Model 7 allows up to 10 mediators operating in parallel.

Model 8

Conceptual Diagram



Statistical Diagram



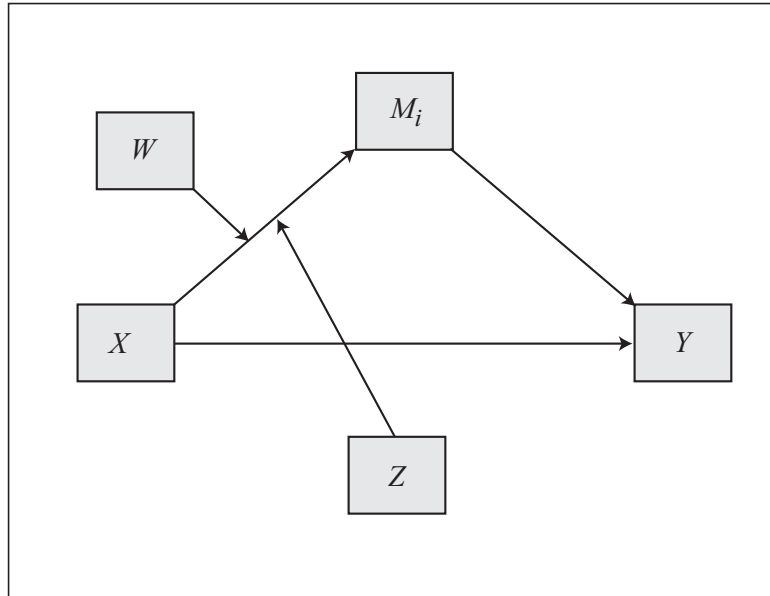
Conditional indirect effect of X on Y through $M_i = (a_{1i} + a_{3i}W)b_i$

Conditional direct effect of X on $Y = c_1' + c_3'W$

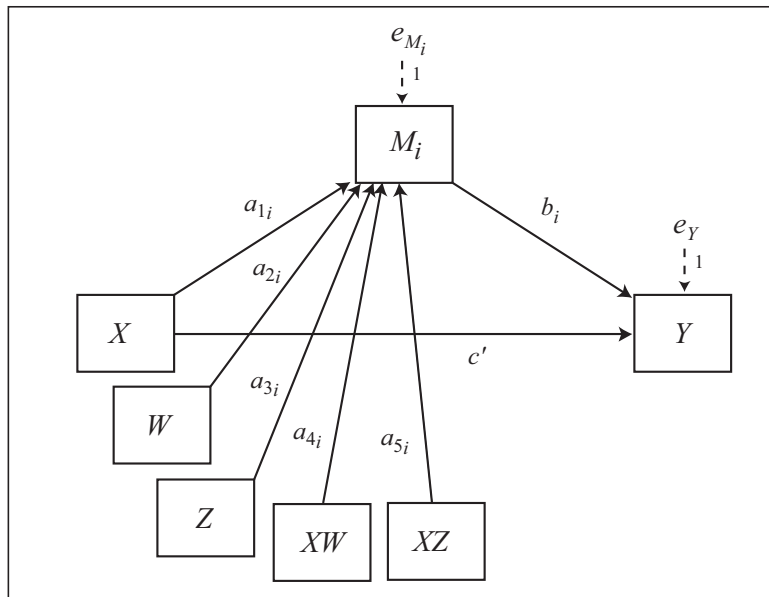
Note: Model 8 allows up to 10 mediators operating in parallel.

Model 9

Conceptual Diagram



Statistical Diagram

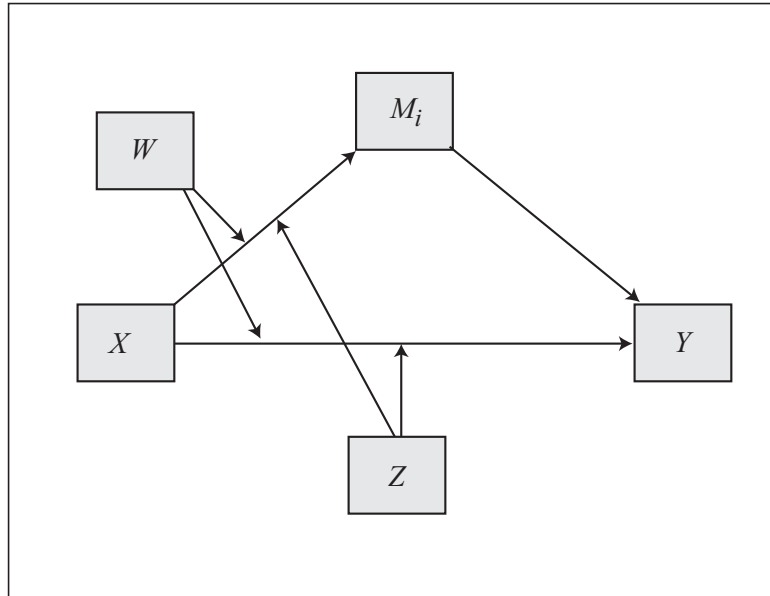


Conditional indirect effect of X on Y through $M_i = (a_{1i} + a_{4i}W + a_{5i}Z) b_i$
 Direct effect of X on $Y = c'$

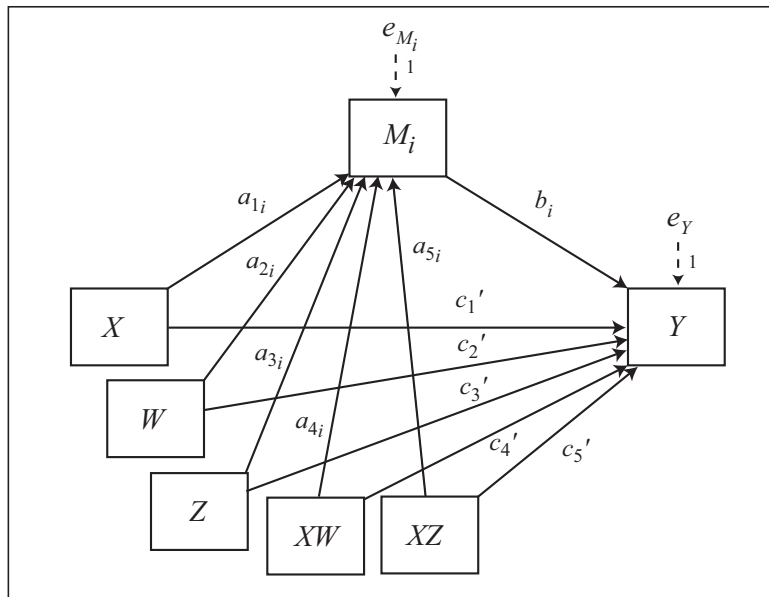
*Model 9 allows up to 10 mediators operating in parallel

Model 10

Conceptual Diagram



Statistical Diagram



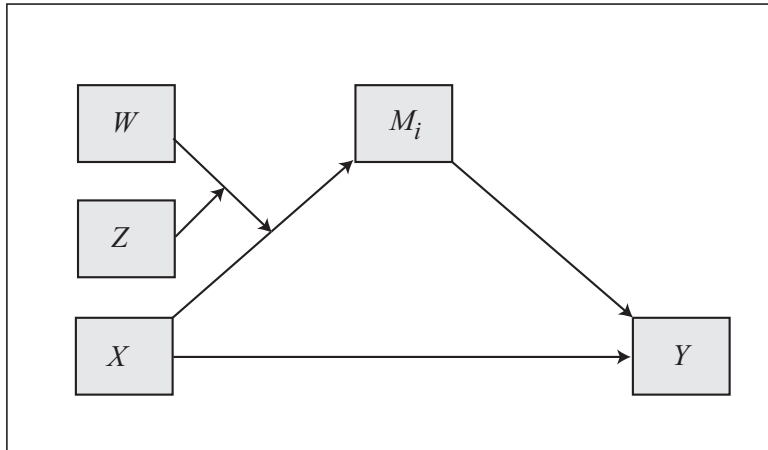
Conditional indirect effect of X on Y through $M_i = (a_{1i} + a_{4i}W + a_{5i}Z) b_i$

Conditional direct effect of X on Y = $c_1' + c_4'W + c_5'Z$

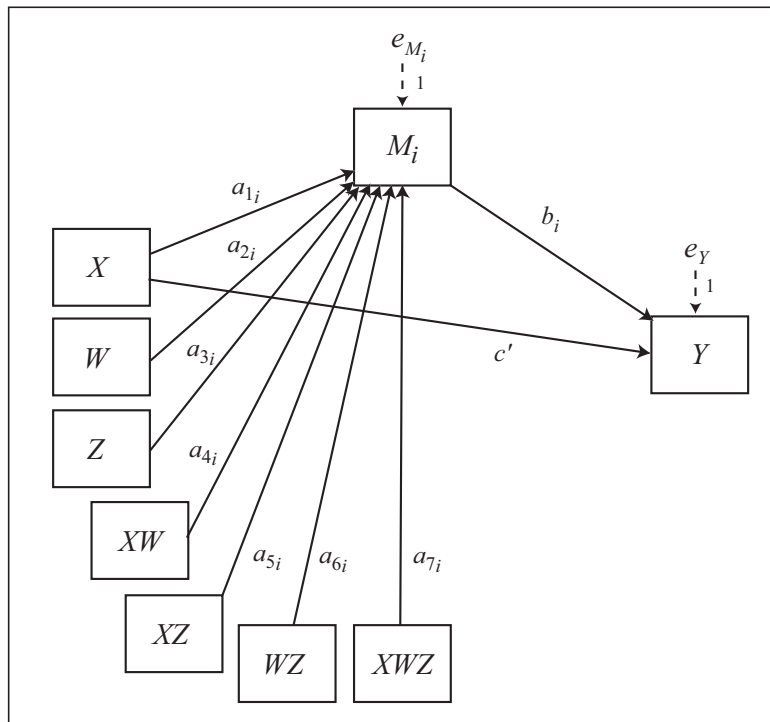
*Model 10 allows up to 10 mediators operating in parallel

Model 11

Conceptual Diagram



Statistical Diagram

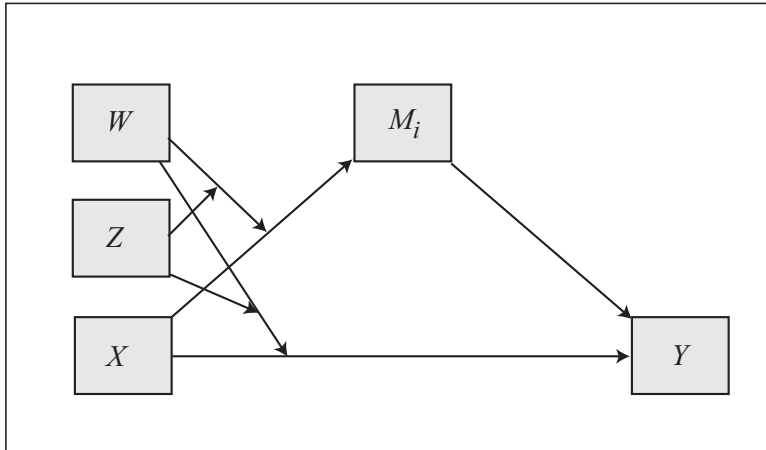


Conditional indirect effect of X on Y through $M_i = (a_{1i} + a_{4i}W + a_{5i}Z + a_{7i}WZ) b_i$
 Direct effect of X on Y = c'

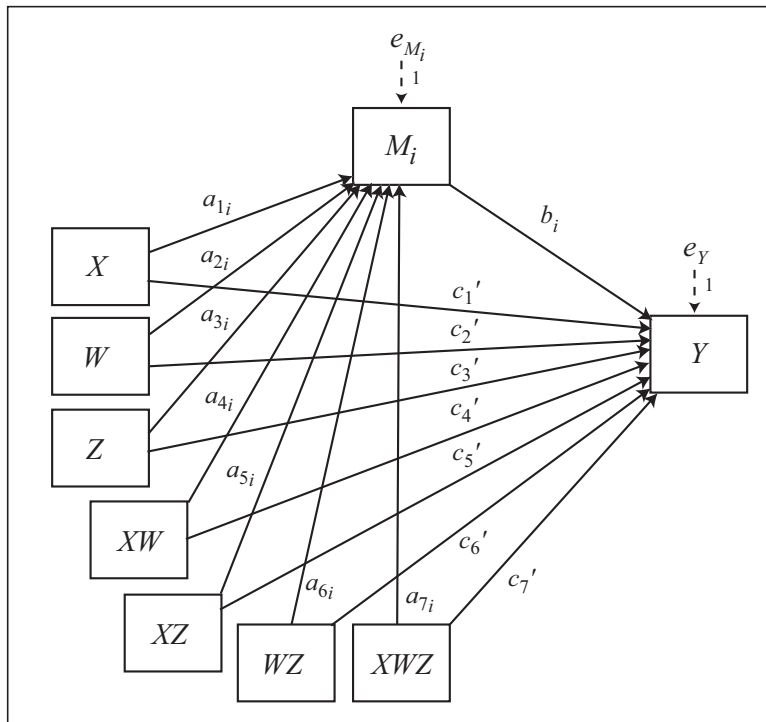
*Model 11 allows up to 10 mediators operating in parallel

Model 12

Conceptual Diagram



Statistical Diagram



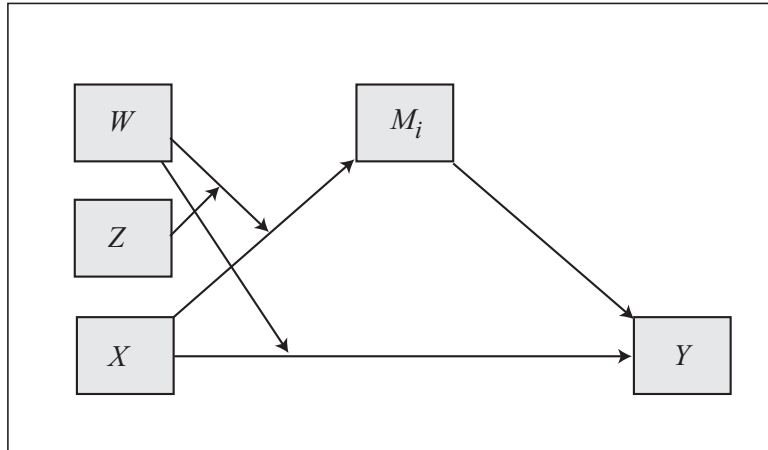
Conditional indirect effect of X on Y through $M_i = (a_{1i} + a_{4i}W + a_{5i}Z + a_{7i}WZ) b_i$

Conditional direct effect of X on Y = $c_1' + c_4'W + c_5'Z + c_7'WZ$

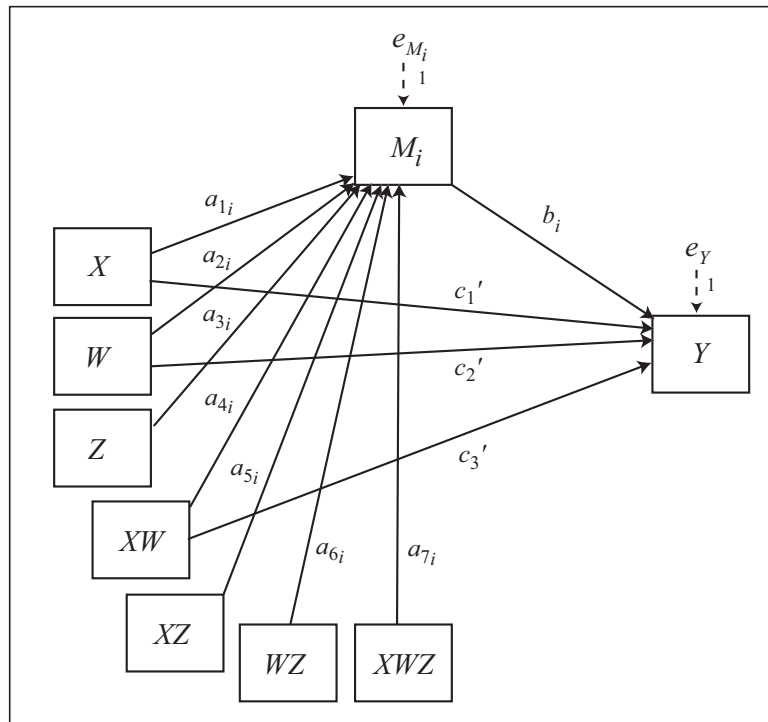
Note: Model 12 allows up to 10 mediators operating in parallel.

Model 13

Conceptual Diagram



Statistical Diagram

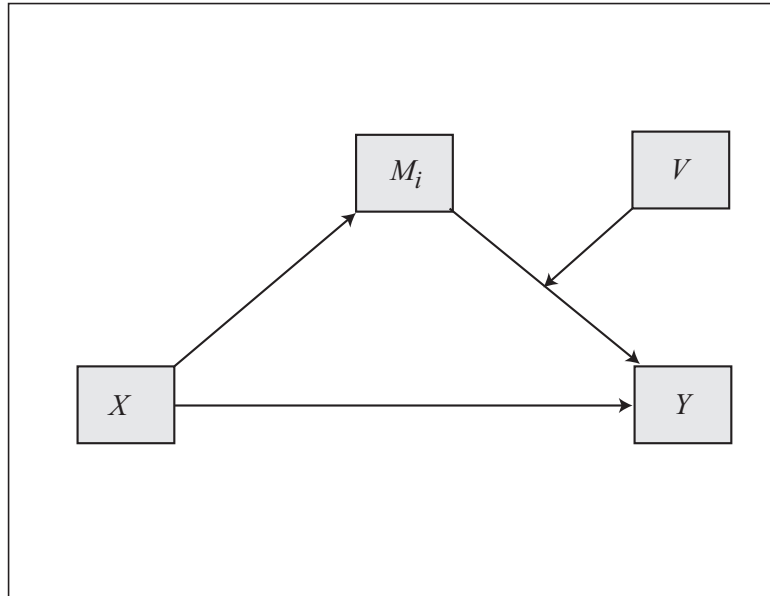


Conditional indirect effect of X on Y through $M_i = (a_{1i} + a_{4i}W + a_{5i}Z + a_{7i}WZ) b_i$
 Conditional direct effect of X on Y = $c_1' + c_3'W$

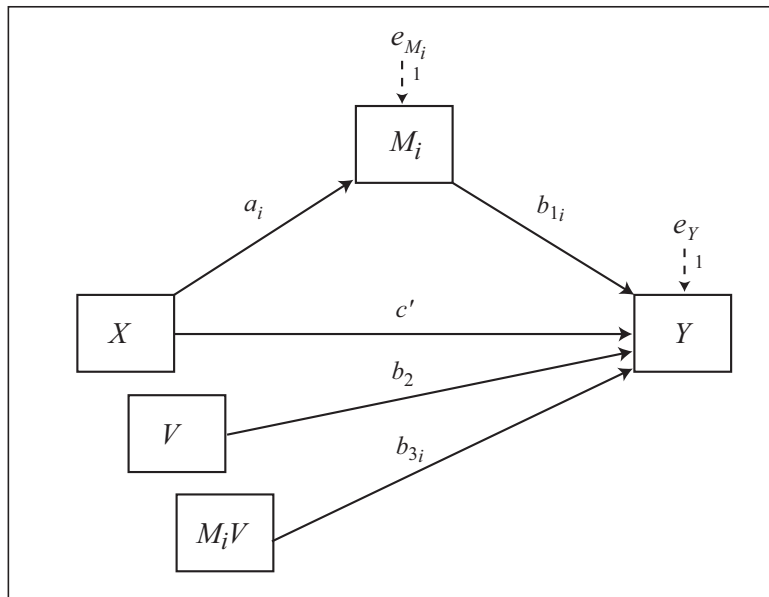
*Model 13 allows up to 10 mediators operating in parallel

Model 14

Conceptual Diagram



Statistical Diagram



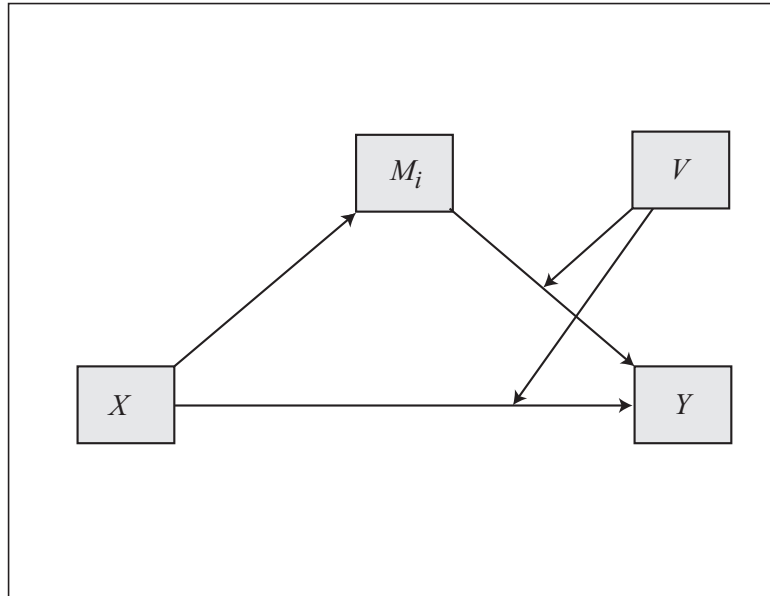
Conditional indirect effect of X on Y through $M_i = a_i (b_{1i} + b_{3i}V)$

Direct effect of X on Y = c'

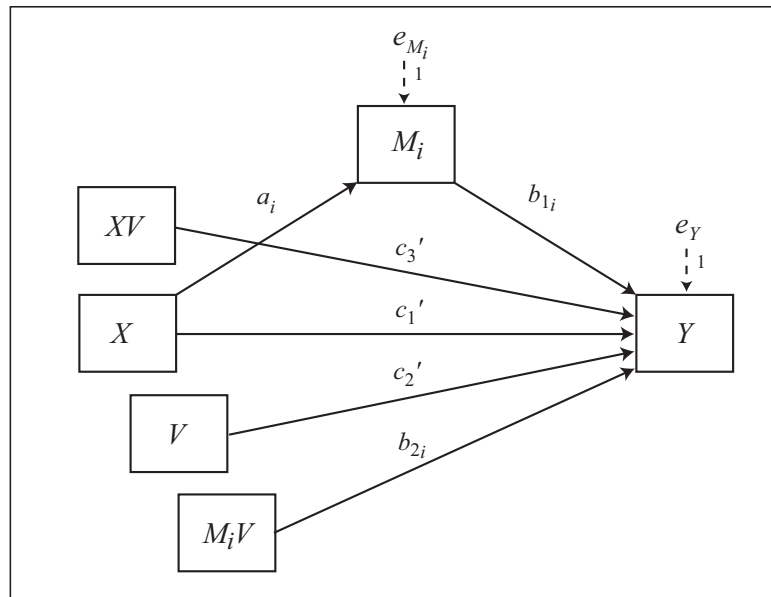
Note: Model 14 allows up to 10 mediators operating in parallel.

Model 15

Conceptual Diagram



Statistical Diagram



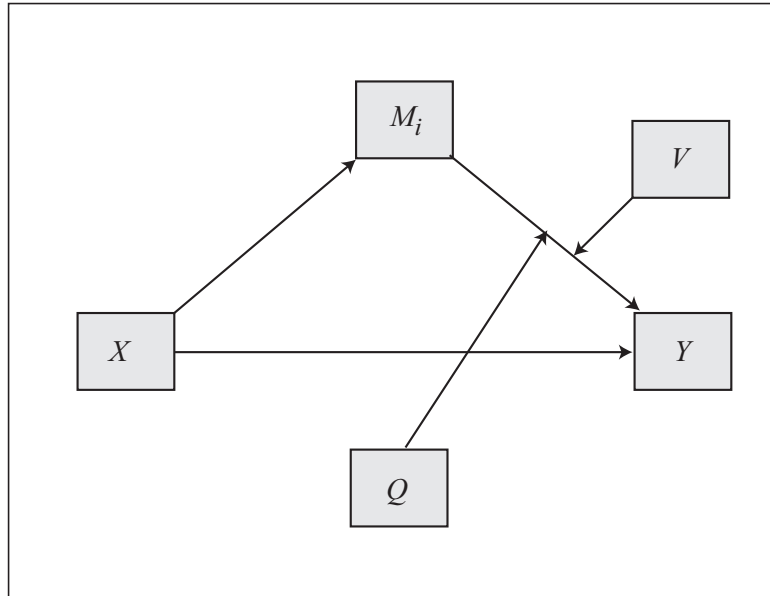
Conditional indirect effect of X on Y through $M_i = a_i (b_{1i} + b_{2i}V)$

Conditional direct effect of X on $Y = c_1' + c_3'V$

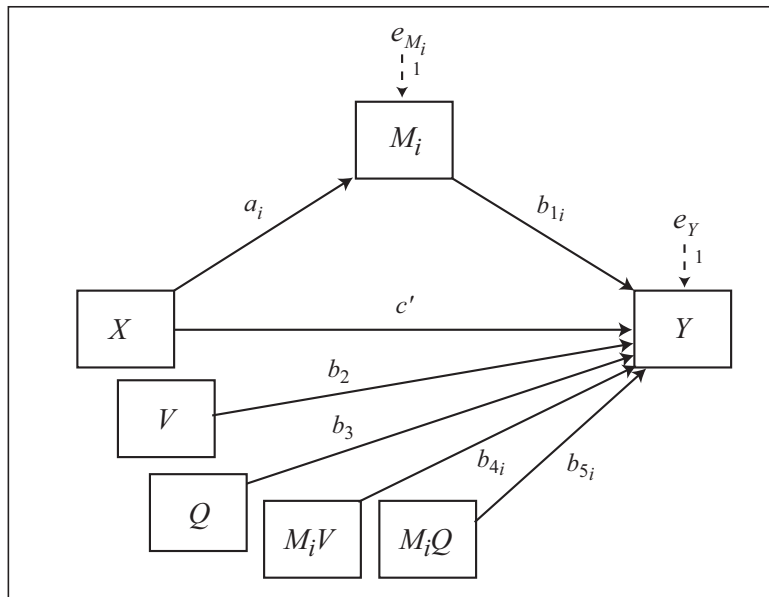
Note: Model 15 allows up to 10 mediators operating in parallel.

Model 16

Conceptual Diagram



Statistical Diagram



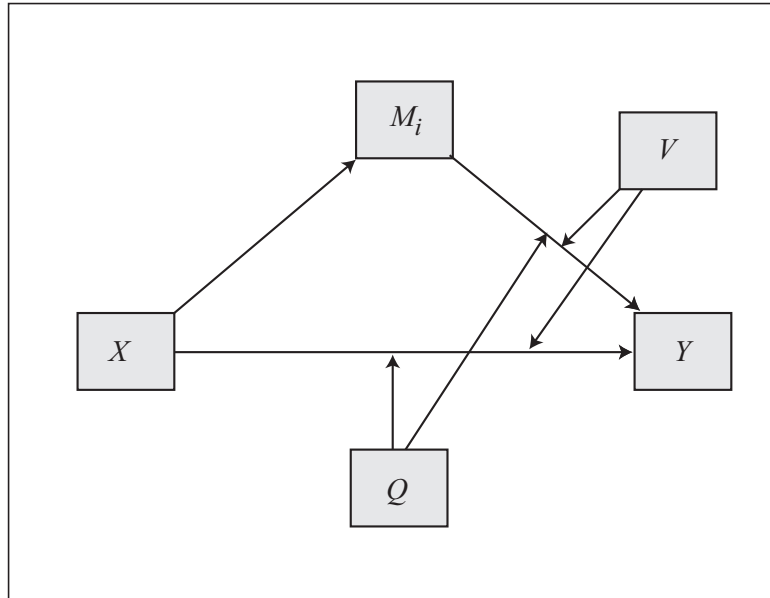
Conditional indirect effect of X on Y through $M_i = a_i (b_{1i} + b_{4i}V + b_{5i}Q)$

Direct effect of X on $Y = c'$

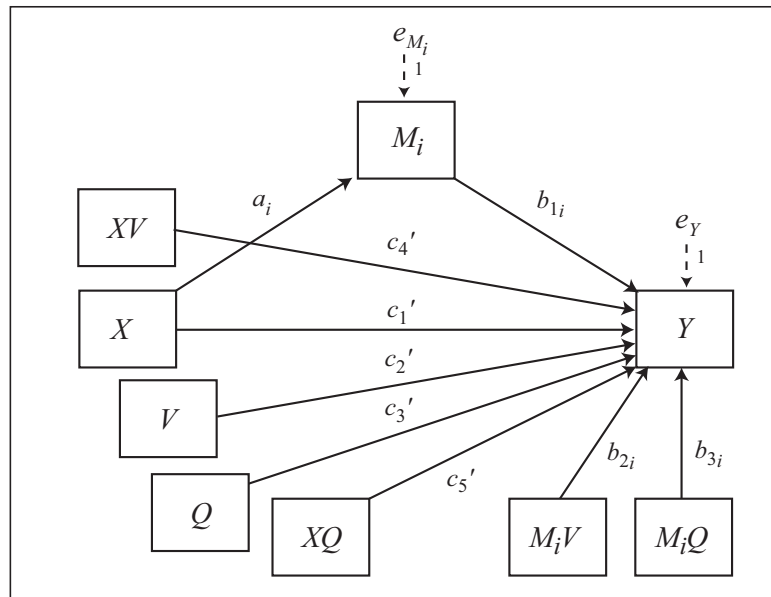
*Model 16 allows up to 10 mediators operating in parallel

Model 17

Conceptual Diagram



Statistical Diagram



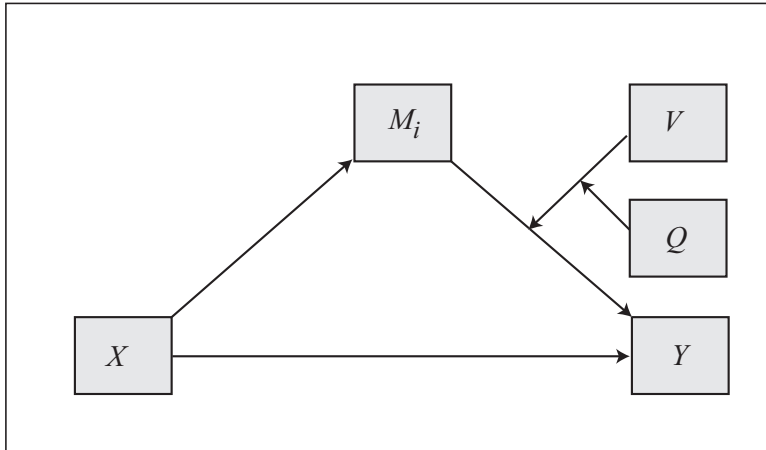
Conditional indirect effect of X on Y through $M_i = a_i (b_{1i} + b_{2i}V + b_{3i}Q)$

Conditional direct effect of X on $Y = c_1' + c_4'V + c_5'Q$

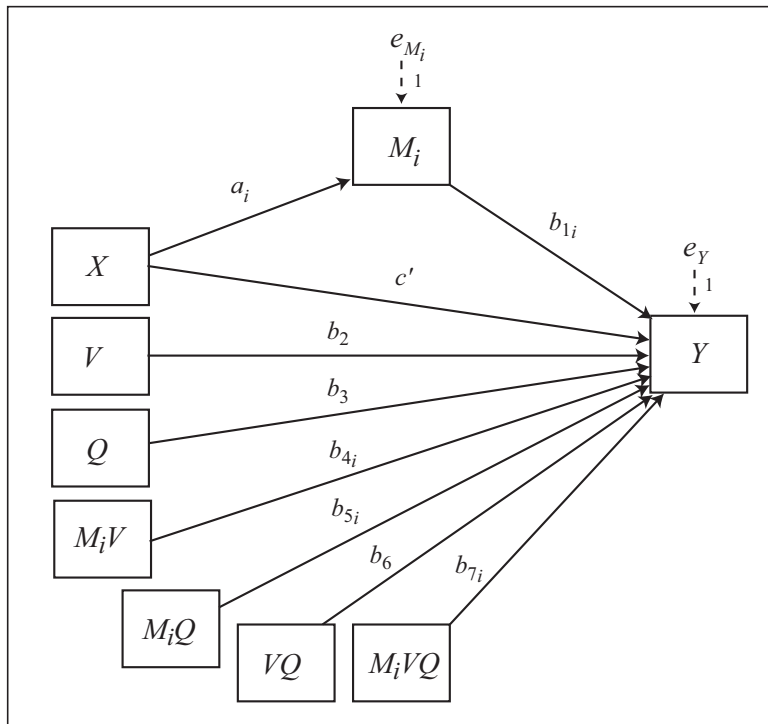
*Model 17 allows up to 10 mediators operating in parallel

Model 18

Conceptual Diagram



Statistical Diagram



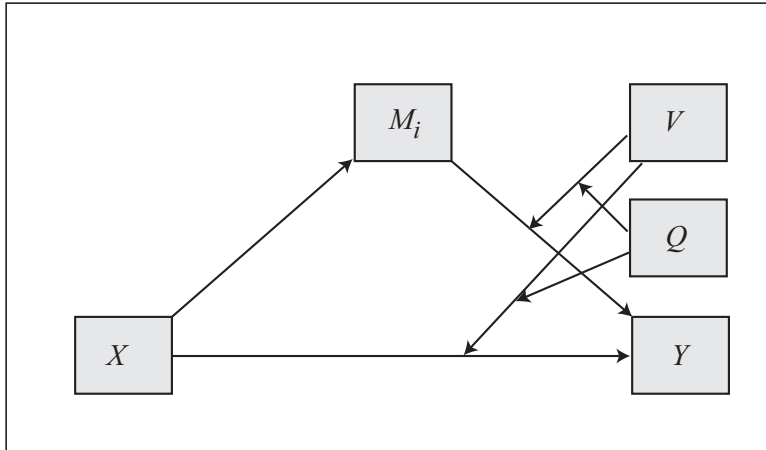
Conditional indirect effect of X on Y through $M_i = a_i(b_{1i} + b_{4i}V + b_{5i}Q + b_{7i}VQ)$

Direct effect of X on $Y = c'$

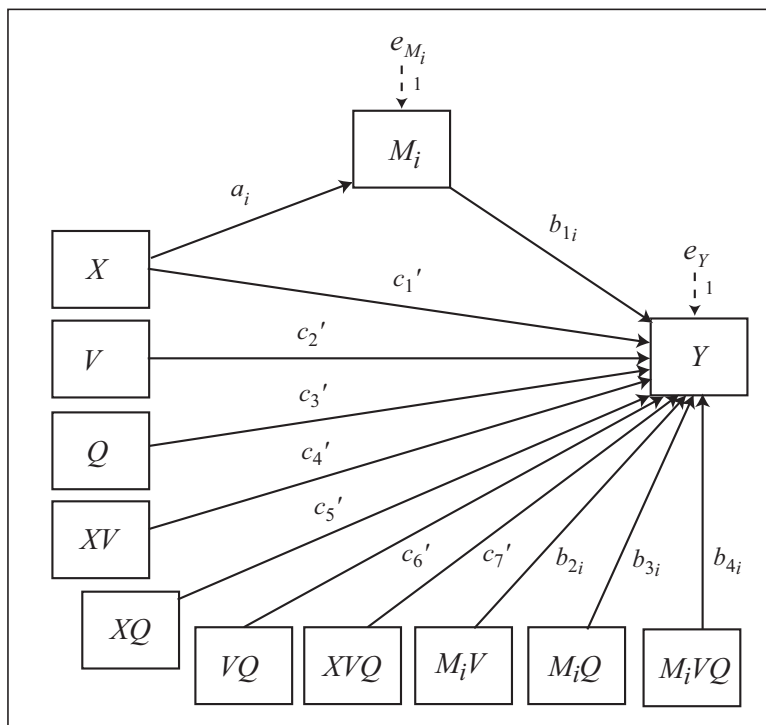
*Model 18 allows up to 10 mediators operating in parallel

Model 19

Conceptual Diagram



Statistical Diagram



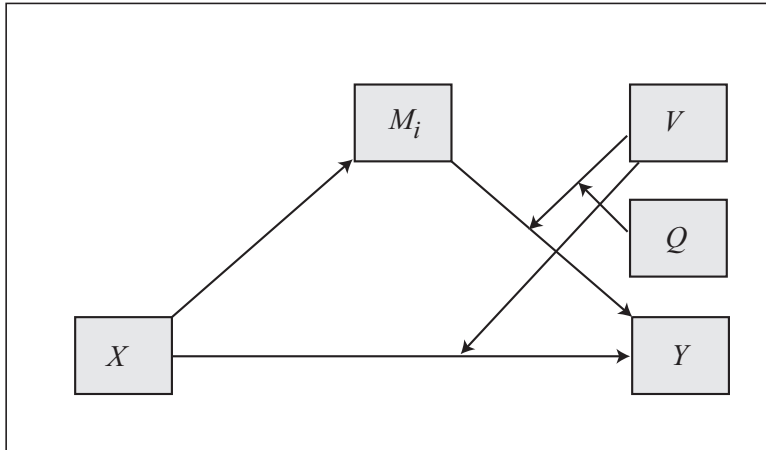
Conditional indirect effect of X on Y through $M_i = a_i(b_{1i} + b_{2i}V + b_{3i}Q + b_{4i}VQ)$

Conditional direct effect of X on $Y = c_1' + c_4'V + c_5'Q + c_7'VQ$

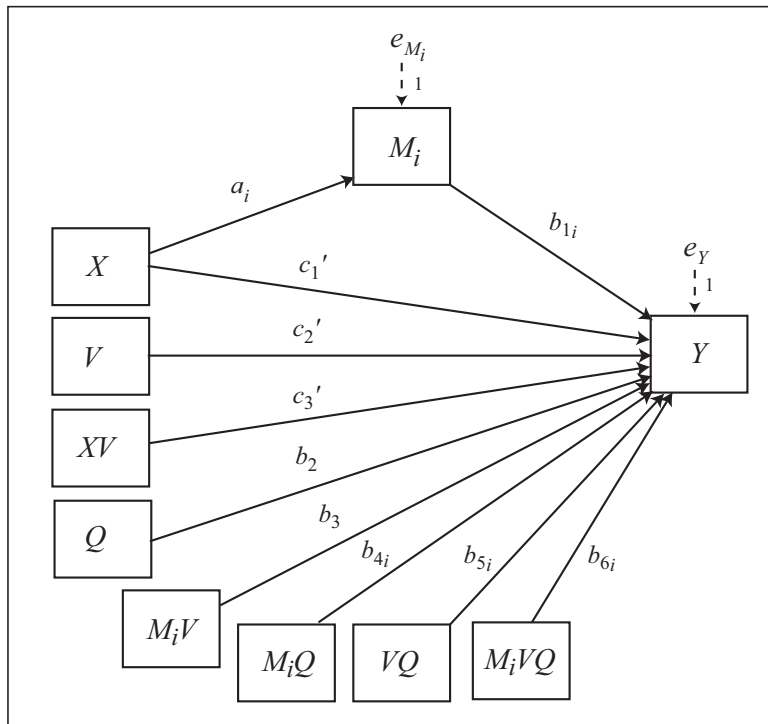
*Model 19 allows up to 10 mediators operating in parallel

Model 20

Conceptual Diagram



Statistical Diagram



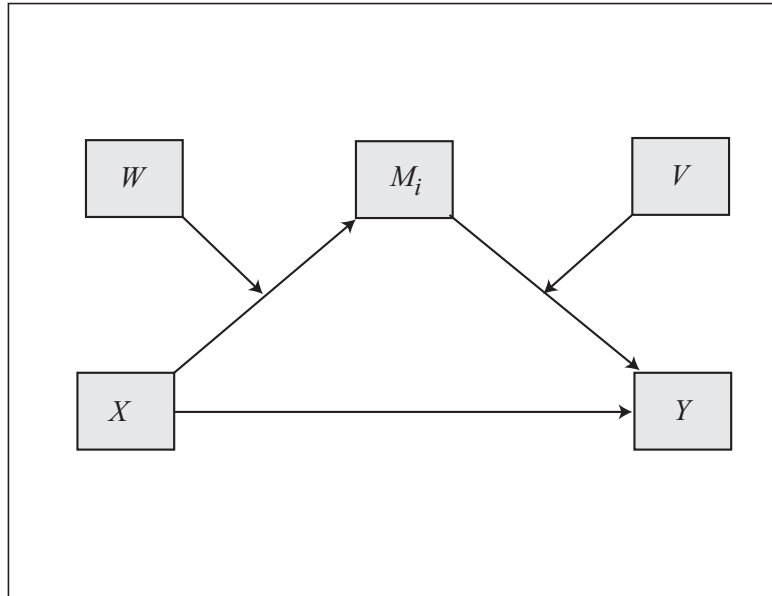
Conditional indirect effect of X on Y through $M_i = a_i(b_{1i} + b_{3i}V + b_{4i}Q + b_{6i}VQ)$

Conditional direct effect of X on $Y = c_1' + c_3'V$

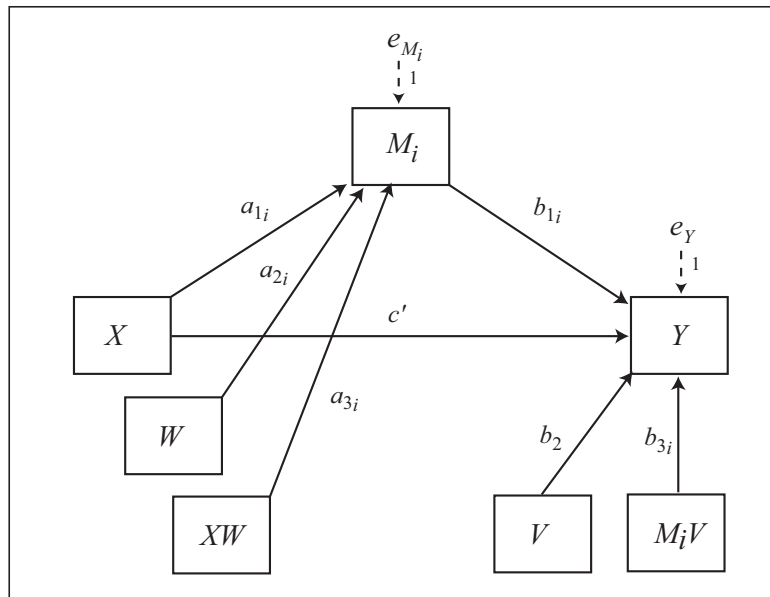
*Model 20 allows up to 10 mediators operating in parallel

Model 21

Conceptual Diagram



Statistical Diagram



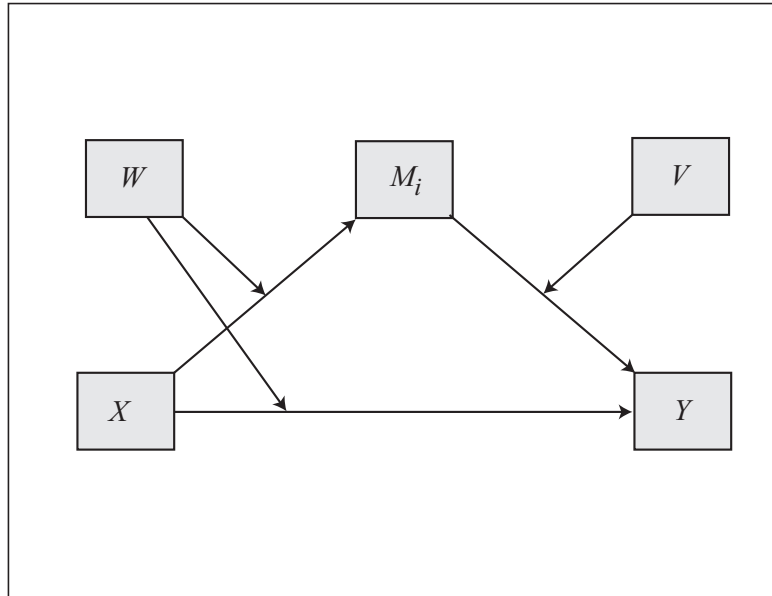
Conditional indirect effect of X on Y through $M_i = (a_{1i} + a_{3i}W)(b_{1i} + b_{3i}V)$

Direct effect of X on $Y = c'$

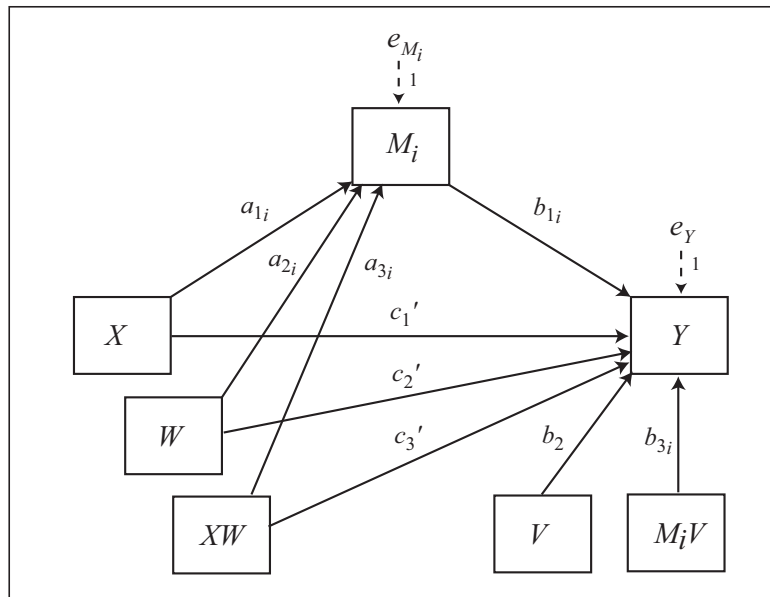
Note: Model 21 allows up to 10 mediators operating in parallel.

Model 22

Conceptual Diagram



Statistical Diagram



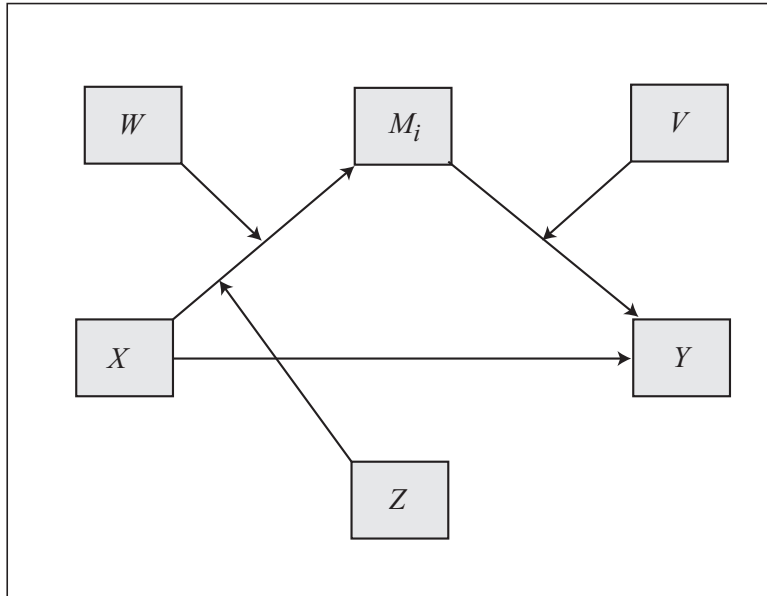
Conditional indirect effect of X on Y through $M_i = (a_{1i} + a_{3i}W)(b_{1i} + b_{3i}V)$

Conditional direct effect of X on $Y = c_1' + c_3'W$

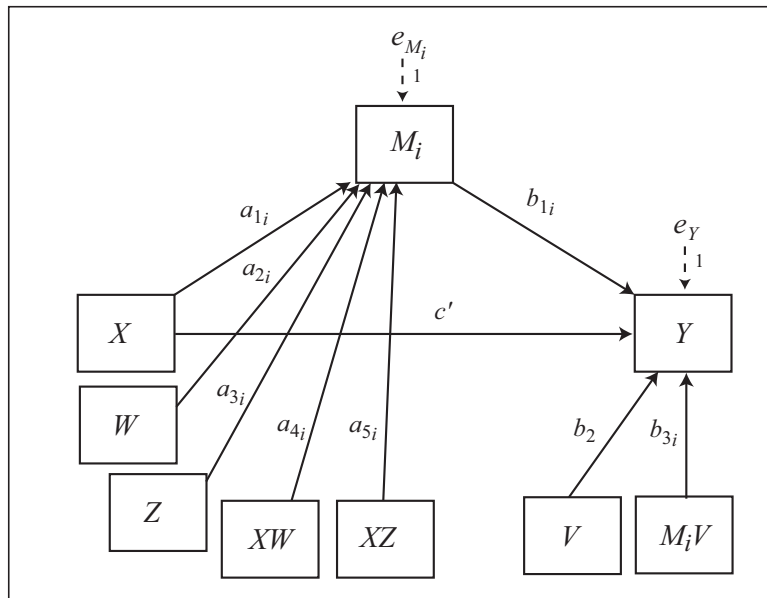
Note: Model 22 allows up to 10 mediators operating in parallel.

Model 23

Conceptual Diagram



Statistical Diagram



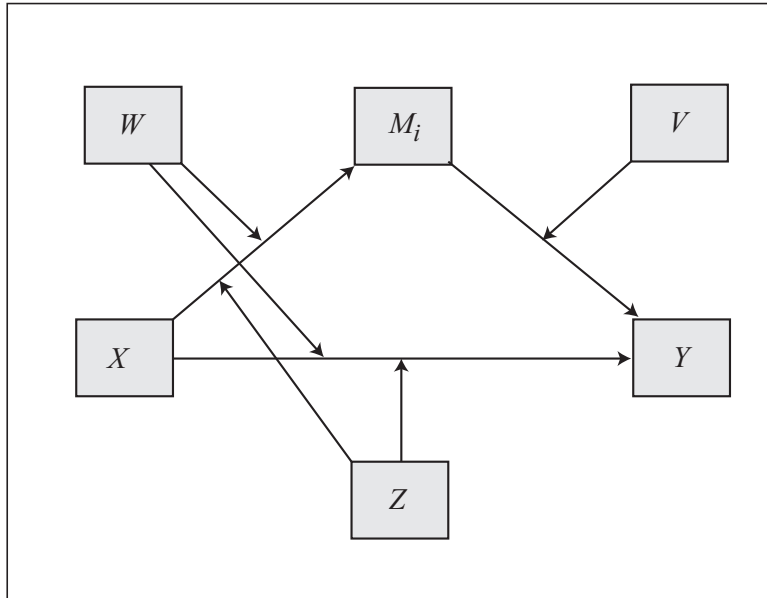
Conditional indirect effect of X on Y through $M_i = (a_{1i} + a_{4i}W + a_{5i}Z)(b_{1i} + b_{3i}V)$

Direct effect of X on $Y = c'$

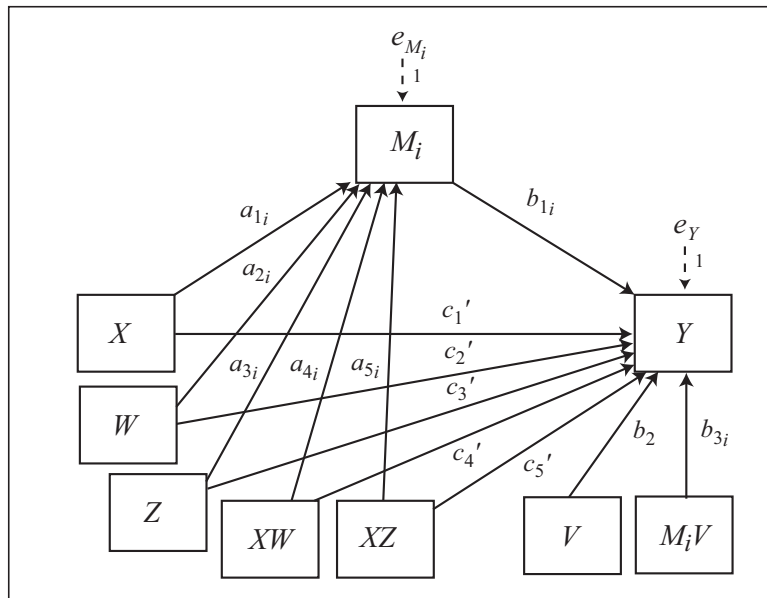
*Model 23 allows up to 10 mediators operating in parallel

Model 24

Conceptual Diagram



Statistical Diagram



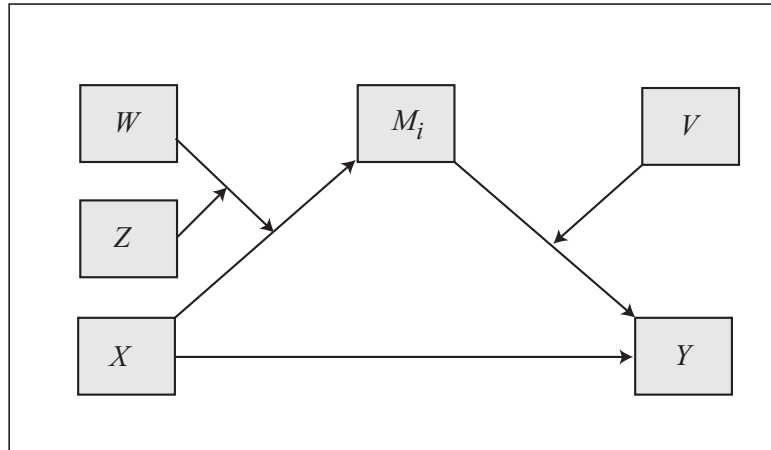
Conditional indirect effect of X on Y through $M_i = (a_{1i} + a_{4i}W + a_{5i}Z)(b_{1i} + b_{3i}V)$

Conditional direct effect of X on $Y = c_1' + c_4'W + c_5'Z$

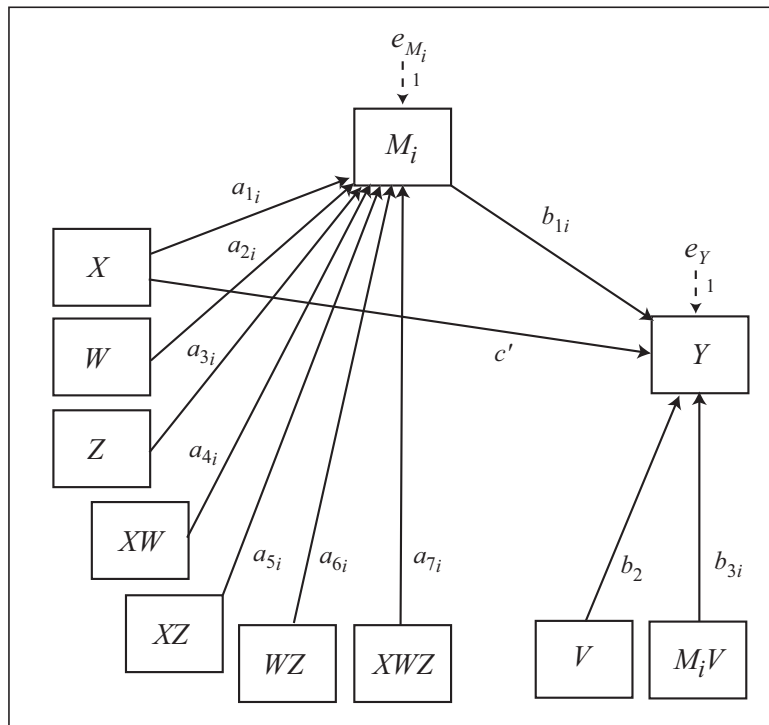
*Model 24 allows up to 10 mediators operating in parallel

Model 25

Conceptual Diagram



Statistical Diagram

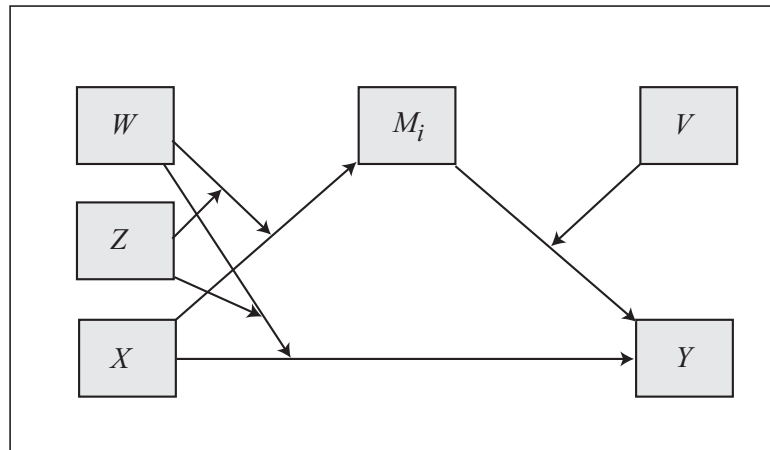


Conditional indirect effect of X on Y through $M_i = (a_{1i} + a_{4i}W + a_{5i}Z + a_{7i}WZ)(b_{1i} + b_{3i}V)$
 Direct effect of X on Y = c'

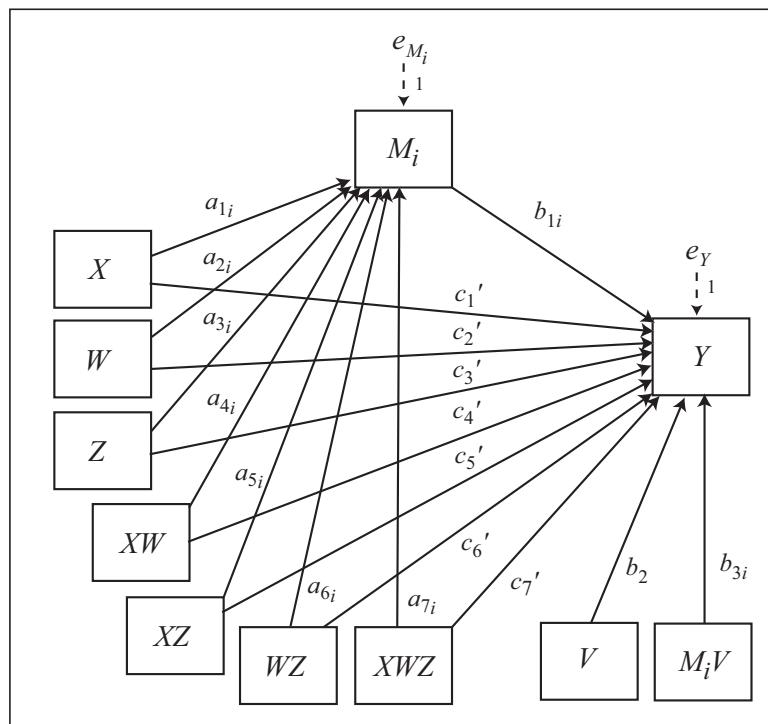
*Model 25 allows up to 10 mediators operating in parallel

Model 26

Conceptual Diagram



Statistical Diagram



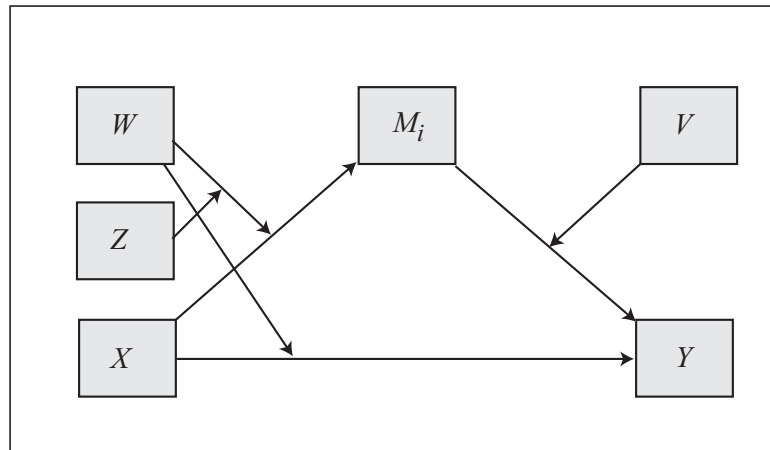
Conditional indirect effect of X on Y through $M_i = (a_{1i} + a_{4i}W + a_{5i}Z + a_{7i}WZ)(b_{1i} + b_{3i}V)$

Conditional direct effect of X on Y = $c_1' + c_4'W + c_5'Z + c_7'WZ$

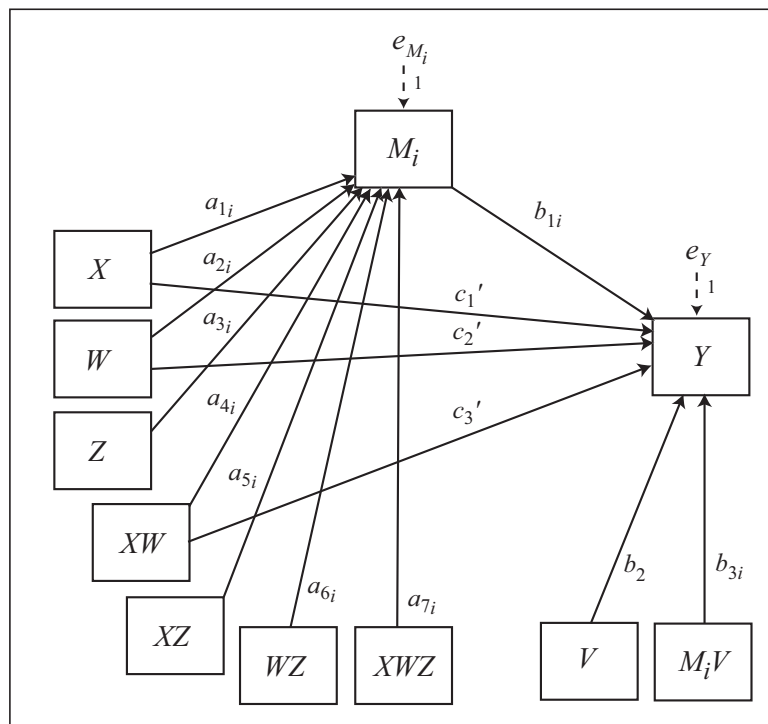
*Model 26 allows up to 10 mediators operating in parallel

Model 27

Conceptual Diagram



Statistical Diagram



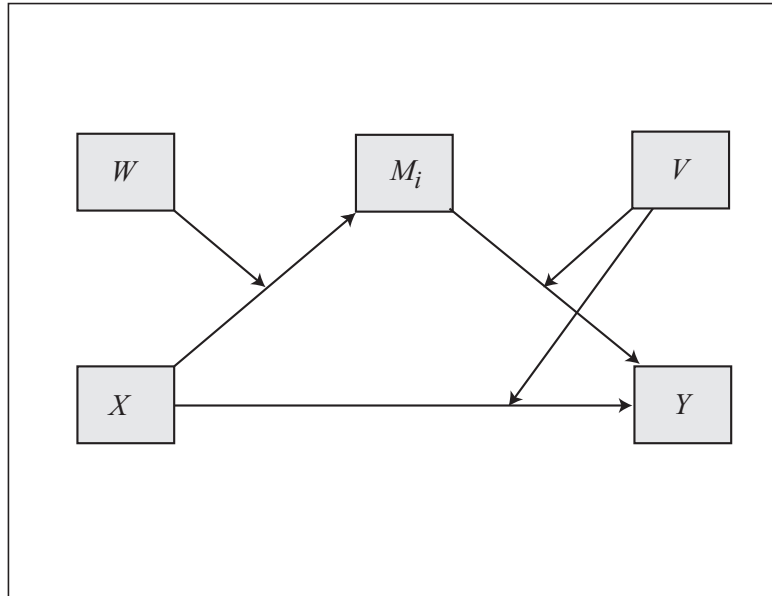
Conditional indirect effect of X on Y through $M_i = (a_{1i} + a_{4i}W + a_{5i}Z + a_{7i}WZ)(b_{1i} + b_{3i}V)$

Conditional direct effect of X on Y = $c_1' + c_3'W$

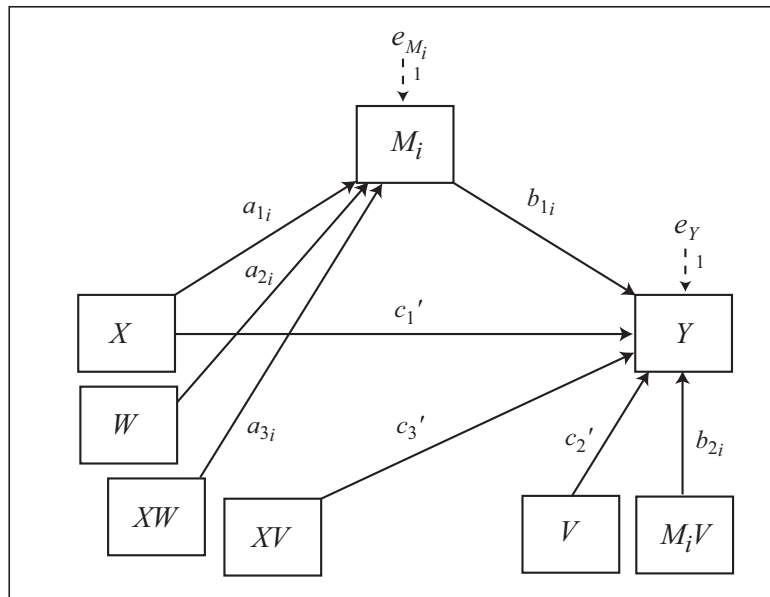
*Model 27 allows up to 10 mediators operating in parallel

Model 28

Conceptual Diagram



Statistical Diagram



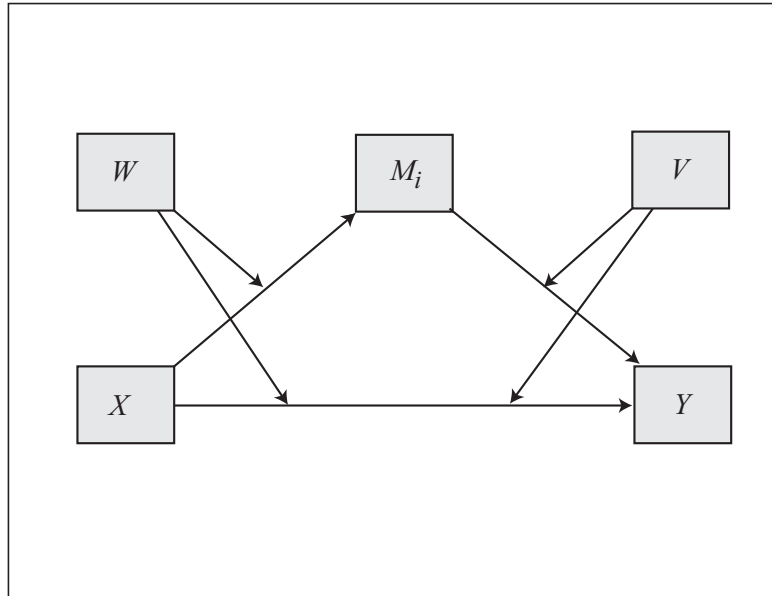
Conditional indirect effect of X on Y through $M_i = (a_{1i} + a_{3i}W)(b_{1i} + b_{2i}V)$

Conditional direct effect of X on $Y = c_1' + c_3'V$

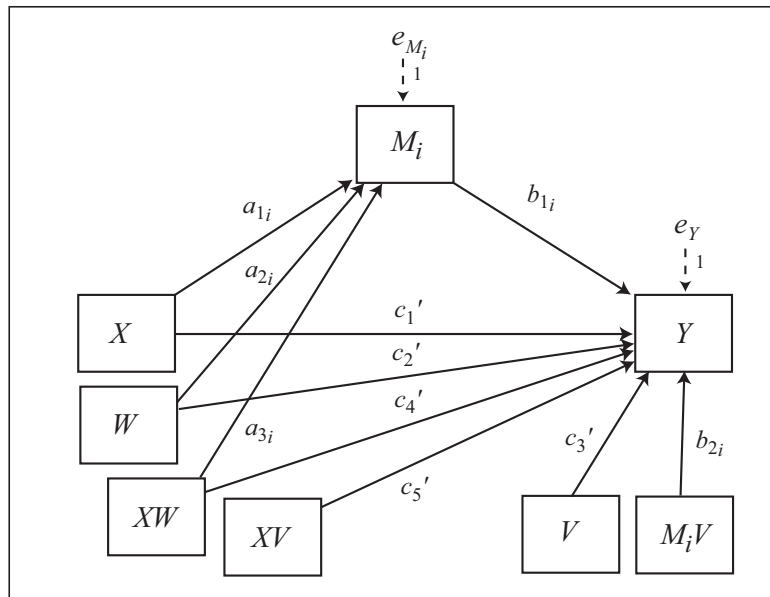
*Model 28 allows up to 10 mediators operating in parallel

Model 29

Conceptual Diagram



Statistical Diagram



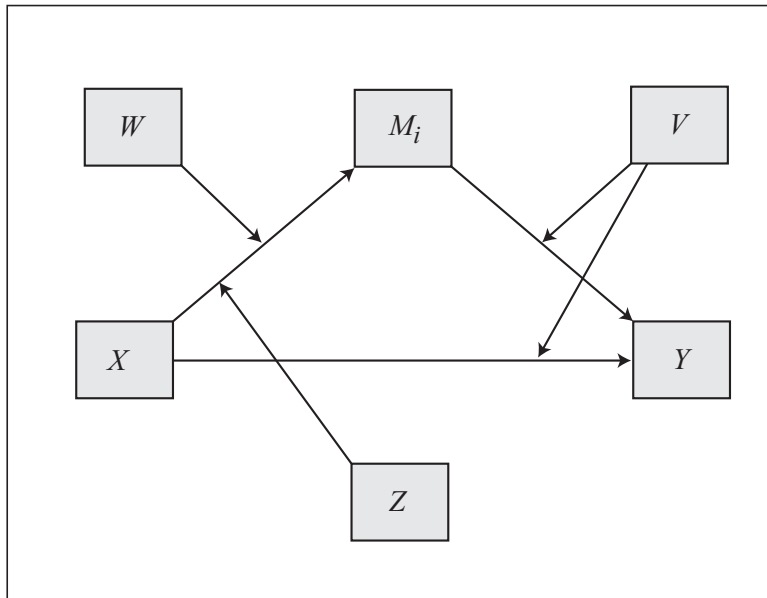
Conditional indirect effect of X on Y through $M_i = (a_{1i} + a_{3i}W)(b_{1i} + b_{2i}V)$

Conditional direct effect of X on $Y = c_1' + c_4'W + c_5'V$

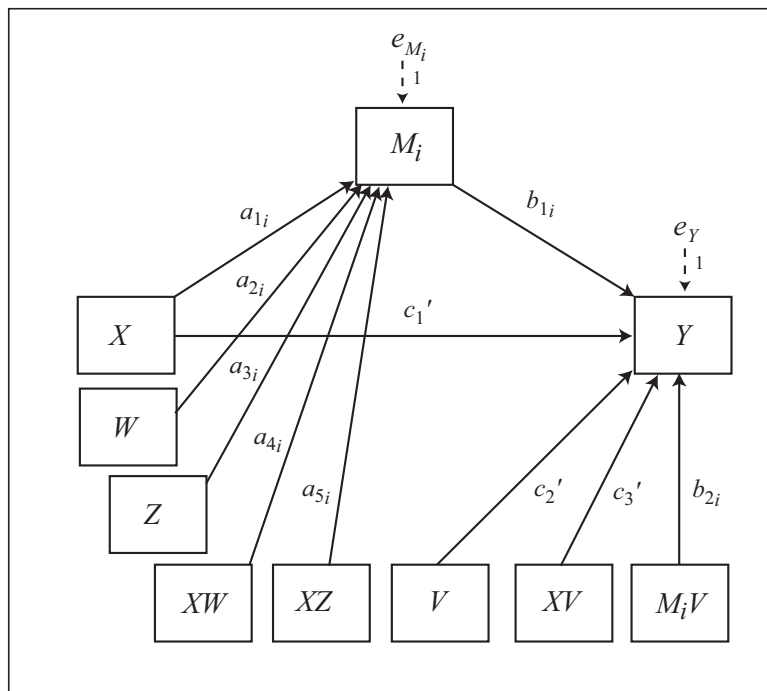
*Model 29 allows up to 10 mediators operating in parallel

Model 30

Conceptual Diagram



Statistical Diagram



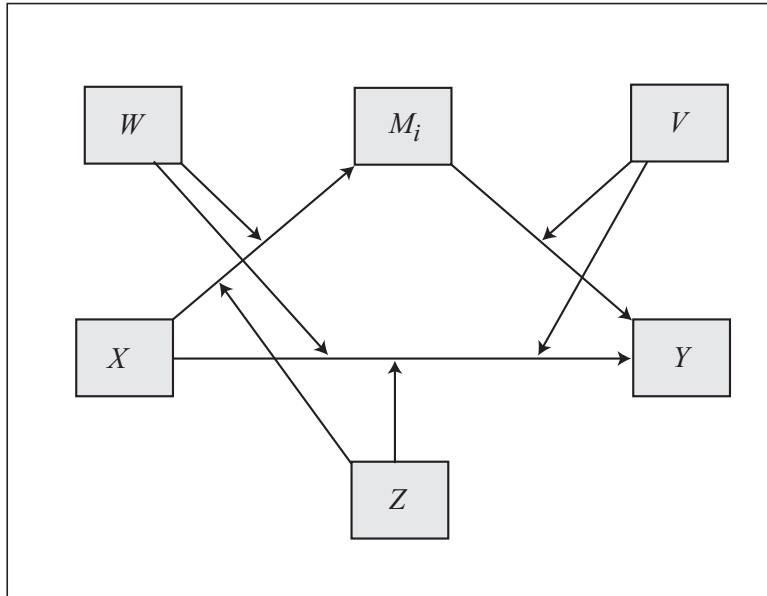
Conditional indirect effect of X on Y through $M_i = (a_{1i} + a_{4i}W + a_{5i}Z)(b_{1i} + b_{2i}V)$

Conditional direct effect of X on $Y = c_1' + c_3'V$

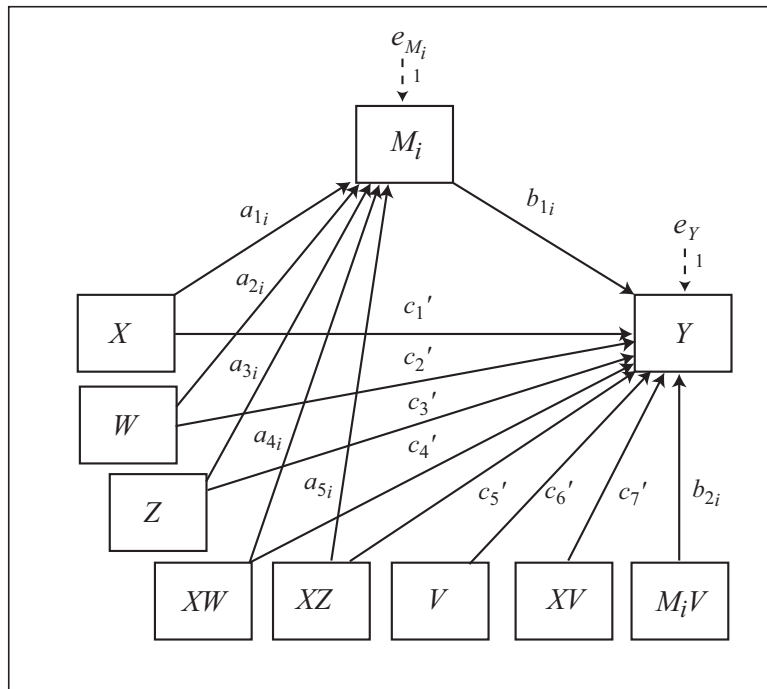
*Model 30 allows up to 10 mediators operating in parallel

Model 31

Conceptual Diagram



Statistical Diagram



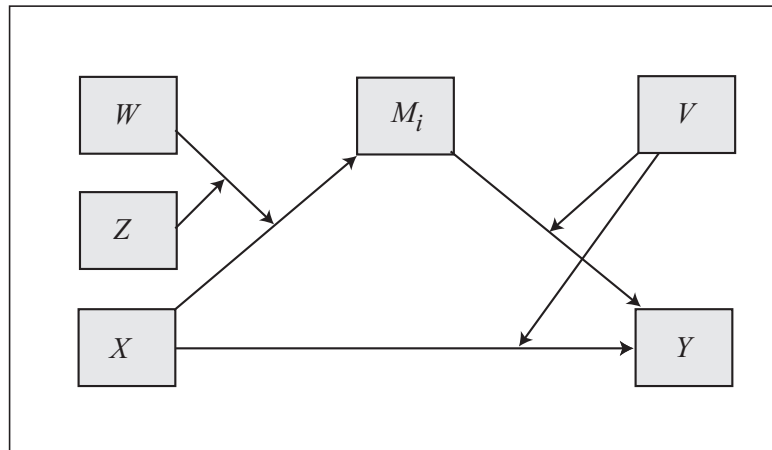
Conditional indirect effect of X on Y through $M_i = (a_{1i} + a_{4i}W + a_{5i}Z)(b_{1i} + b_{2i}V)$

Conditional direct effect of X on $Y = c_1' + c_4'W + c_5'Z + c_7'V$

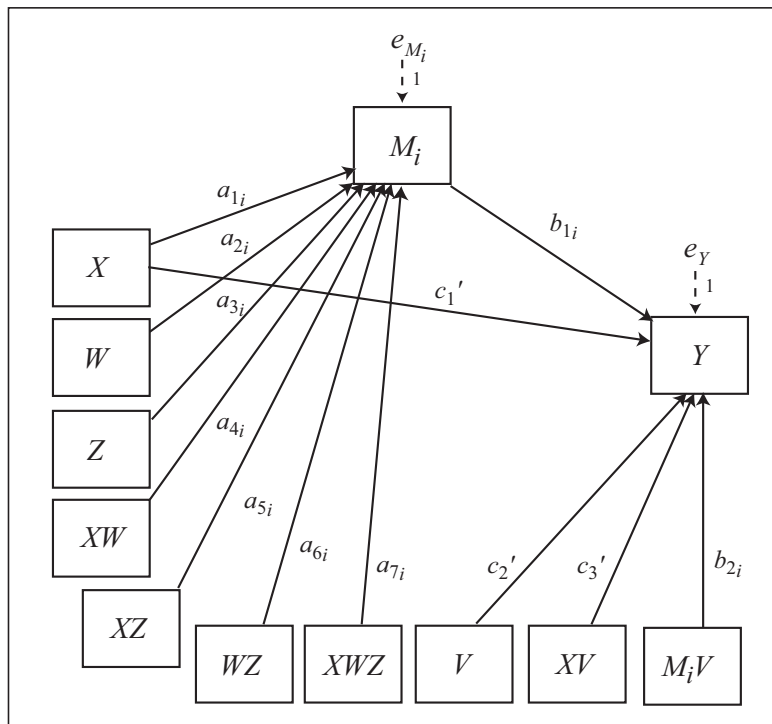
*Model 31 allows up to 10 mediators operating in parallel

Model 32

Conceptual Diagram



Statistical Diagram



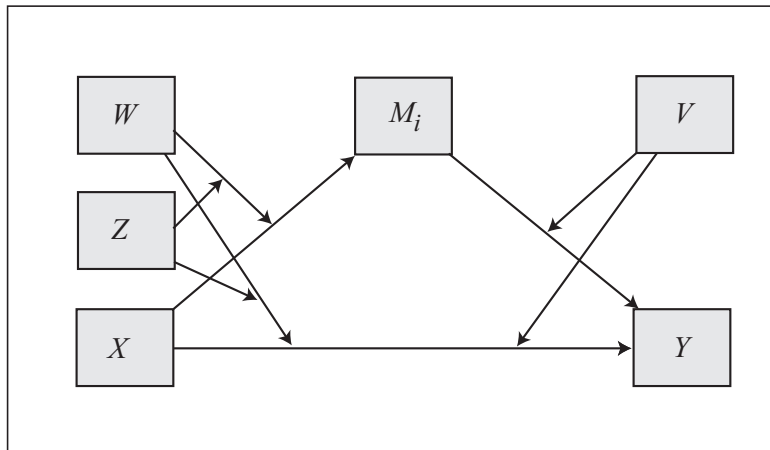
Conditional indirect effect of X on Y through $M_i = (a_{1i} + a_{4i}W + a_{5i}Z + a_{7i}WZ)(b_{1i} + b_{2i}V)$

Conditional direct effect of X on Y = $c_1' + c_3'V$

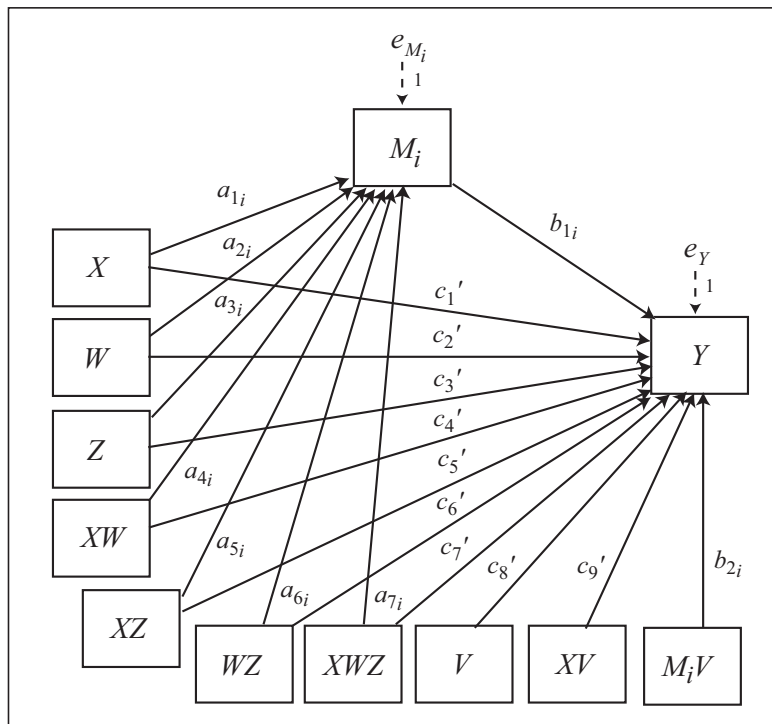
*Model 32 allows up to 10 mediators operating in parallel

Model 33

Conceptual Diagram



Statistical Diagram



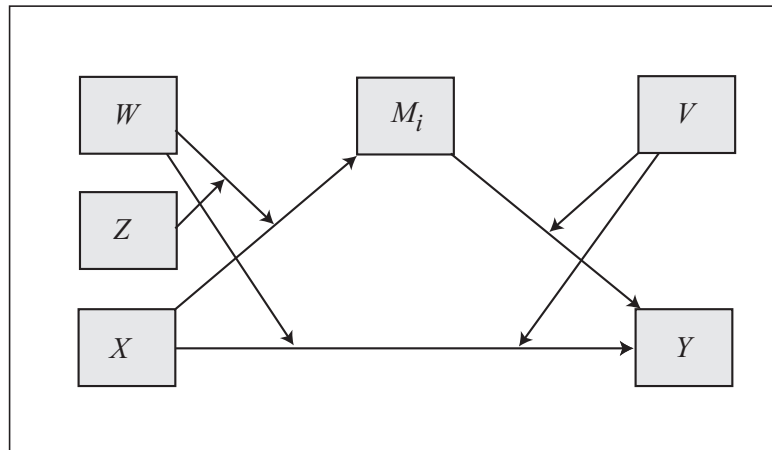
Conditional indirect effect of X on Y through $M_i = (a_{1i} + a_{4i}W + a_{5i}Z + a_{7i}WZ)(b_{1i} + b_{2i}V)$

Conditional direct effect of X on Y = $c_1' + c_4'W + c_5'Z + c_7'WZ + c_9'V$

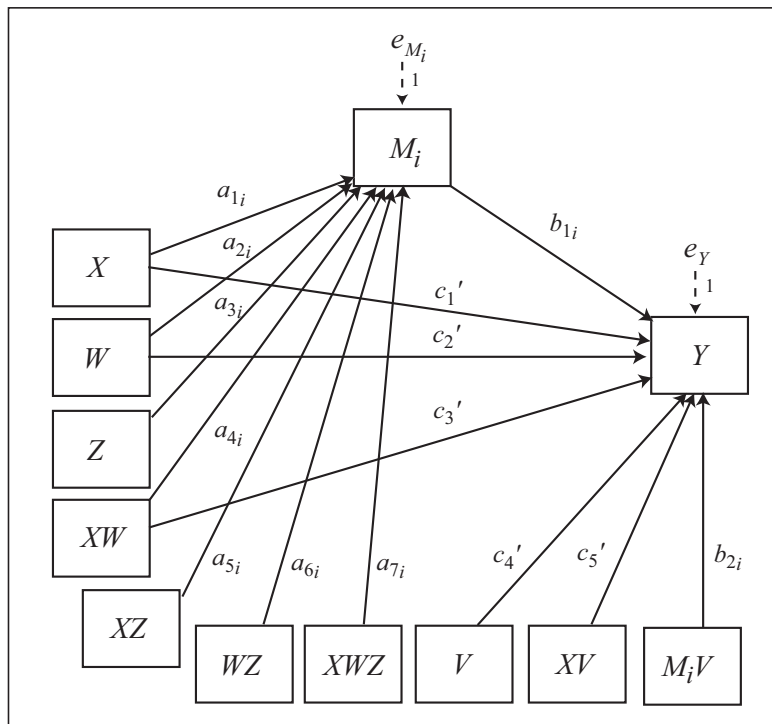
*Model 33 allows up to 10 mediators operating in parallel

Model 34

Conceptual Diagram



Statistical Diagram



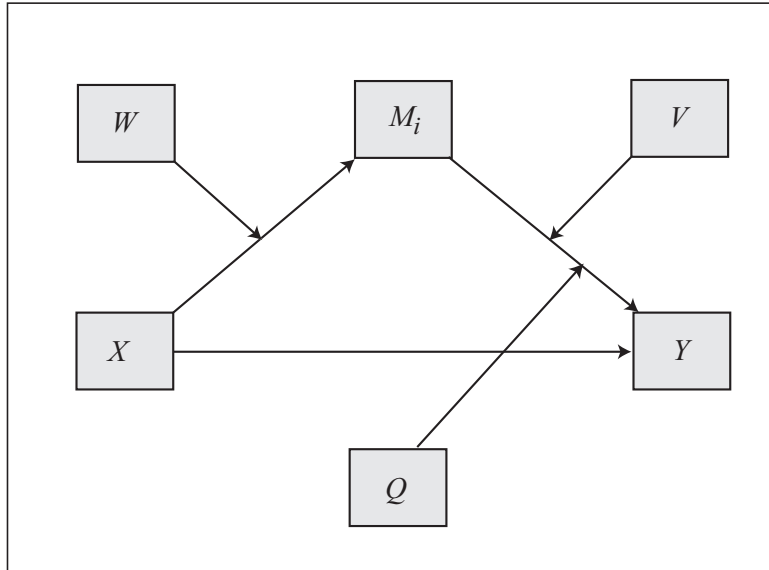
Conditional indirect effect of X on Y through $M_i = (a_{1i} + a_{4i}W + a_{5i}Z + a_{7i}WZ)(b_{1i} + b_{2i}V)$

Conditional direct effect of X on Y = $c_1' + c_3'W + c_5'V$

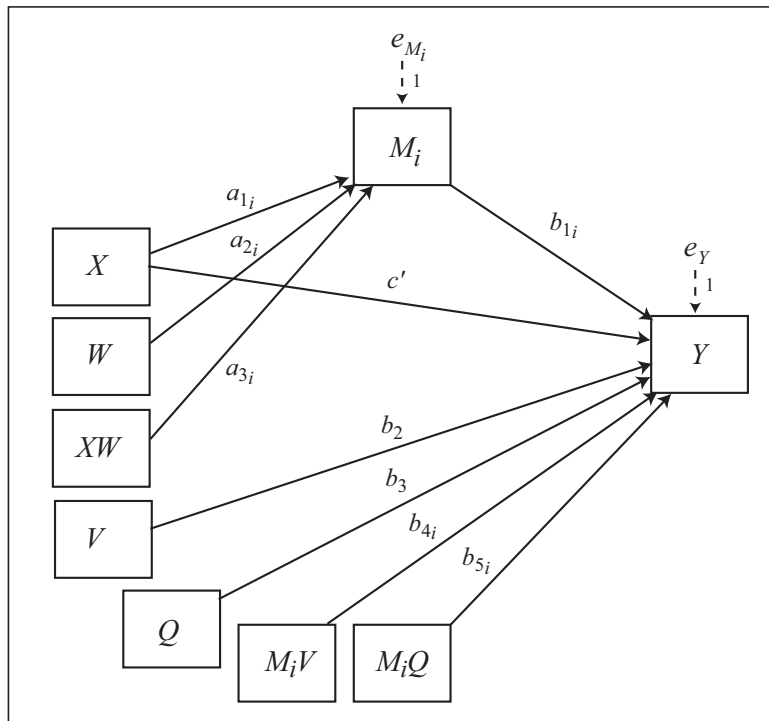
*Model 34 allows up to 10 mediators operating in parallel

Model 35

Conceptual Diagram



Statistical Diagram



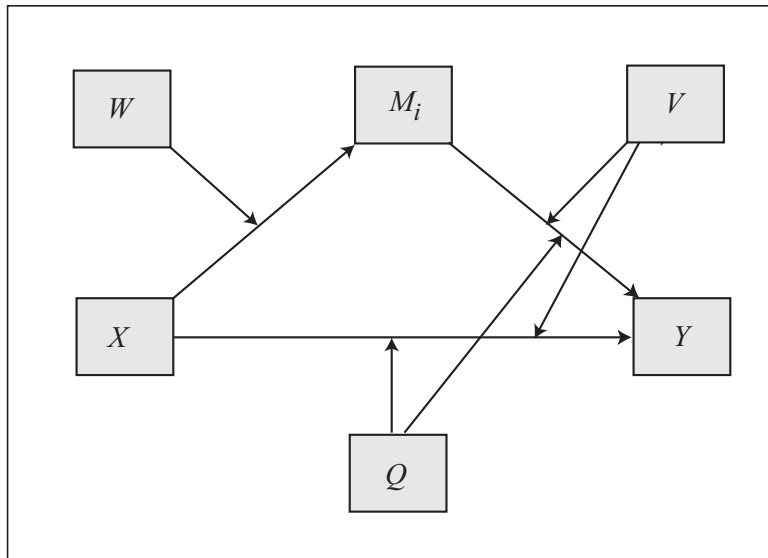
Conditional indirect effect of X on Y through $M_i = (a_{1i} + a_{3i}W)(b_{1i} + b_{4i}V + b_{5i}Q)$

Direct effect of X on $Y = c'$

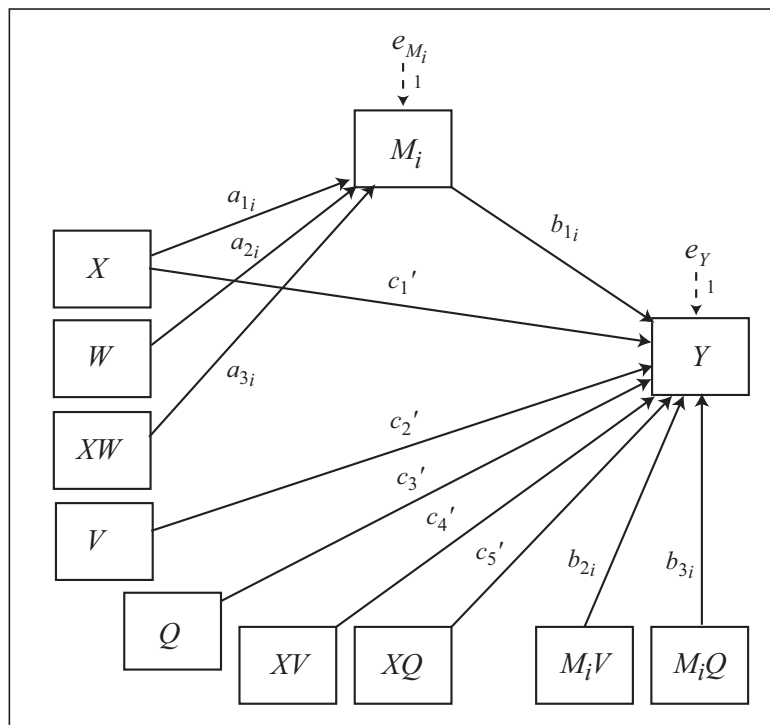
*Model 35 allows up to 10 mediators operating in parallel

Model 36

Conceptual Diagram



Statistical Diagram



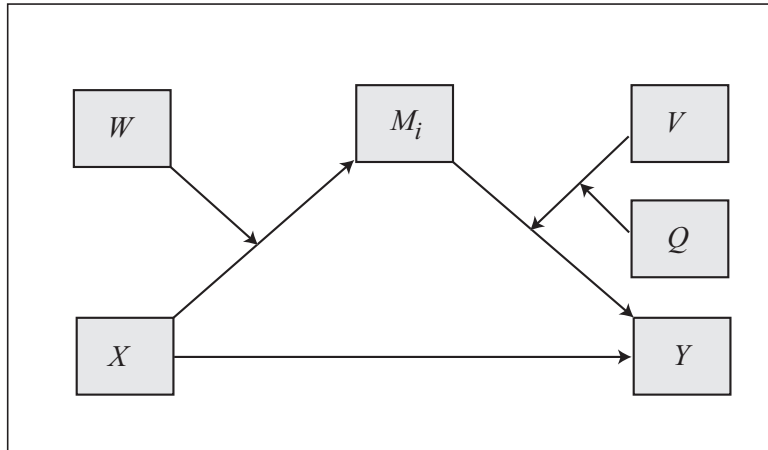
Conditional indirect effect of X on Y through $M_i = (a_{1i} + a_{3i}W)(b_{1i} + b_{2i}V + b_{3i}Q)$

Conditional direct effect of X on $Y = c_1' + c_4'V + c_5'Q$

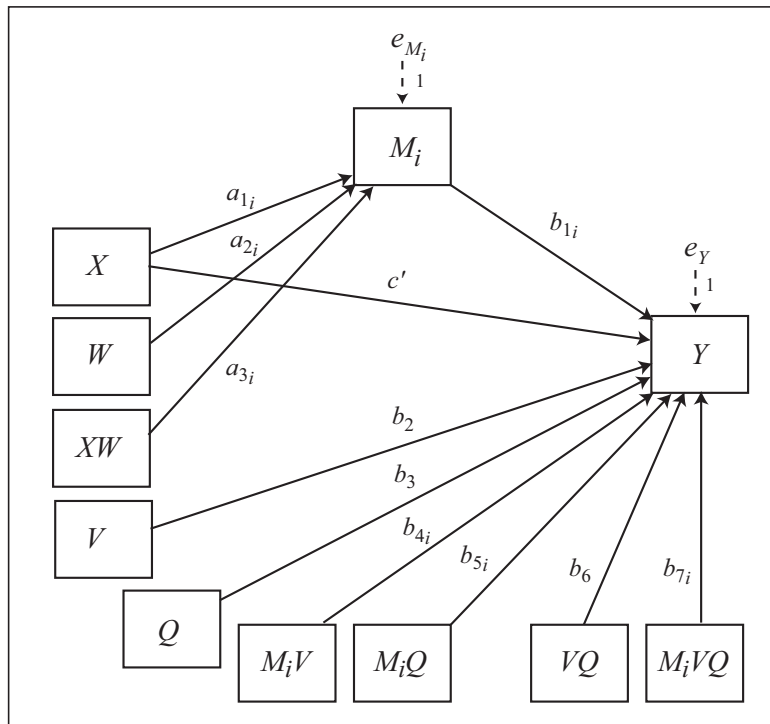
*Model 36 allows up to 10 mediators operating in parallel

Model 37

Conceptual Diagram



Statistical Diagram



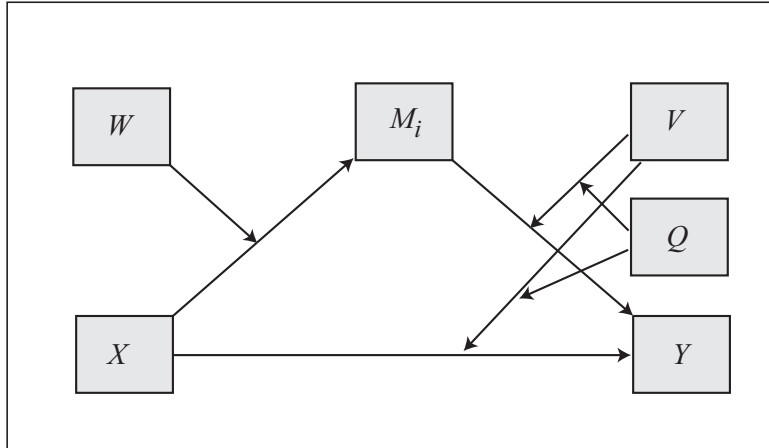
Conditional indirect effect of X on Y through $M_i = (a_{1i} + a_{3i}W)(b_{1i} + b_{4i}V + b_{5i}Q + b_{7i}VQ)$

Direct effect of X on $Y = c'$

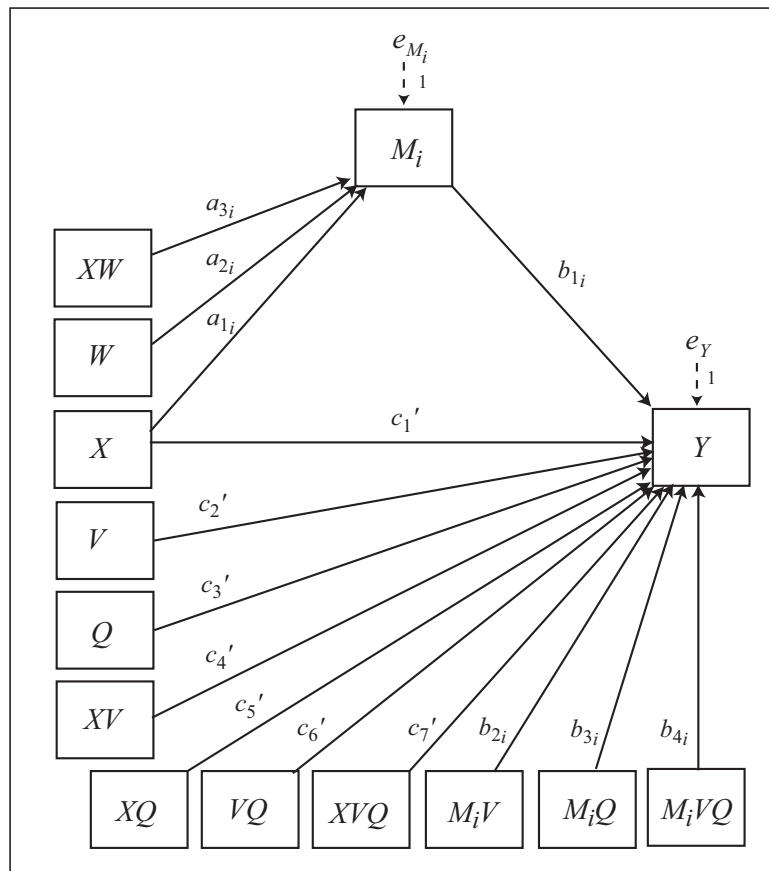
*Model 37 allows up to 10 mediators operating in parallel

Model 38

Conceptual Diagram



Statistical Diagram



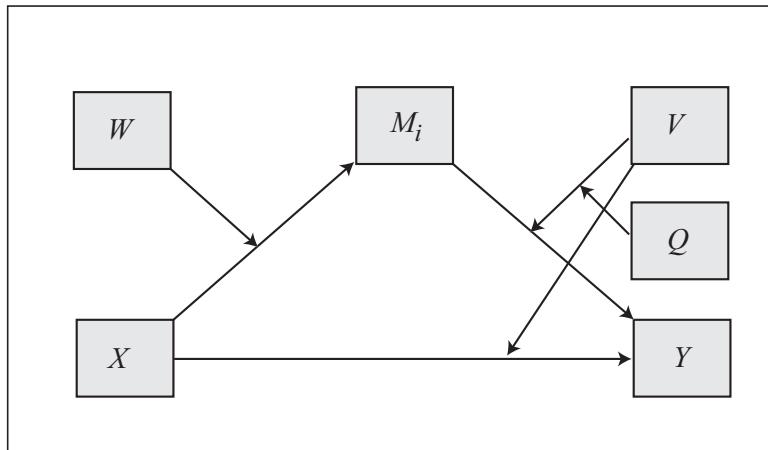
Conditional indirect effect of X on Y through $M_i = (a_{1i} + a_{3i}W)(b_{1i} + b_{2i}V + b_{3i}Q + b_{4i}VQ)$

Conditional direct effect of X on $Y = c_1' + c_4'V + c_5'Q + c_7'VQ$

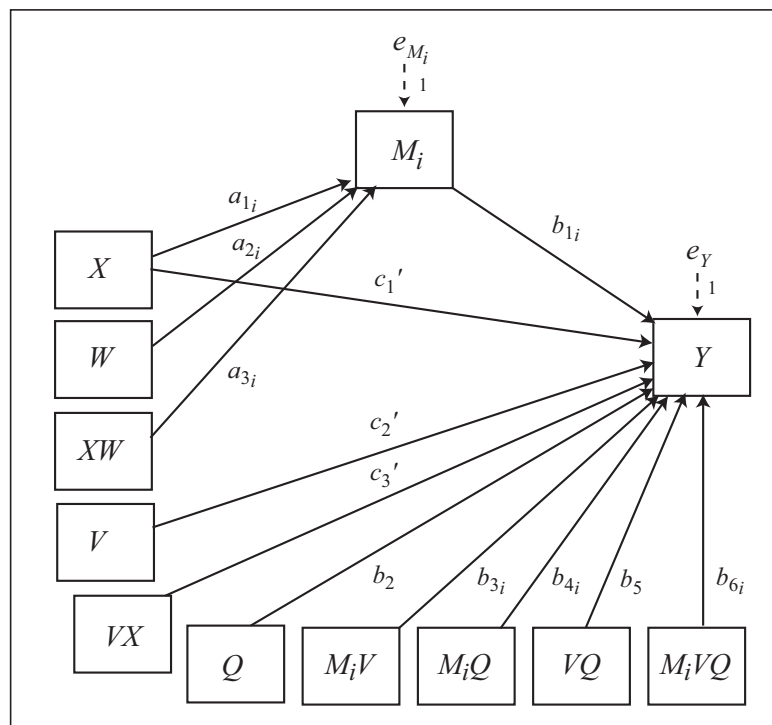
*Model 38 allows up to 10 mediators operating in parallel

Model 39

Conceptual Diagram



Statistical Diagram



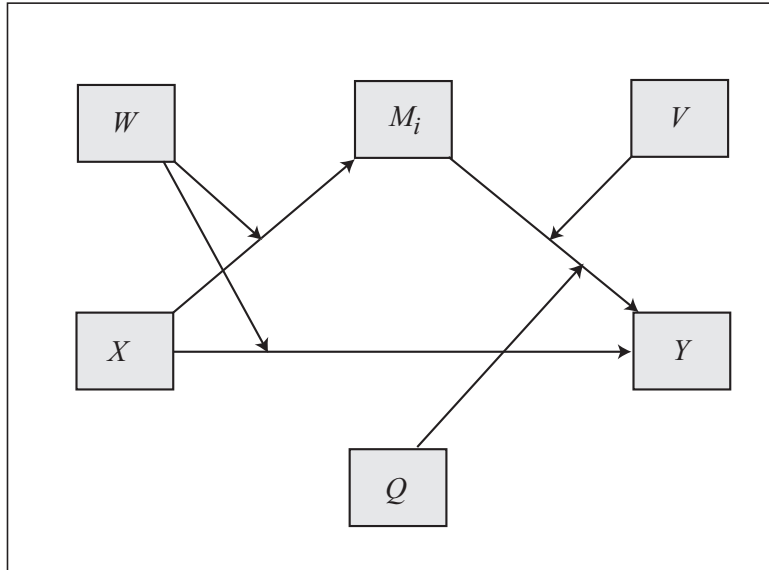
Conditional indirect effect of X on Y through $M_i = (a_{1i} + a_{3i}W)(b_{1i} + b_{3i}V + b_{4i}Q + b_{6i}VQ)$

Conditional direct effect of X on $Y = c_1' + c_3'V$

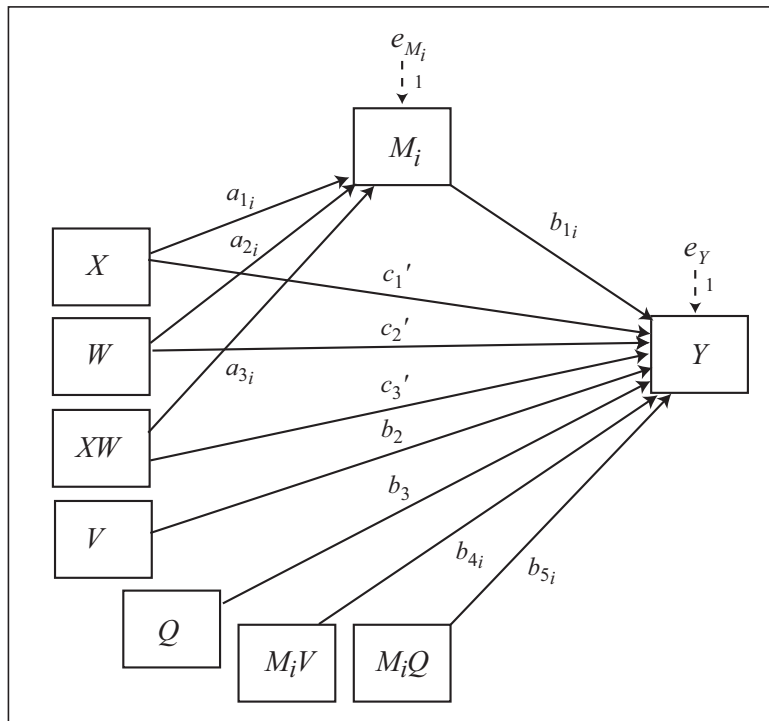
*Model 39 allows up to 10 mediators operating in parallel

Model 40

Conceptual Diagram



Statistical Diagram

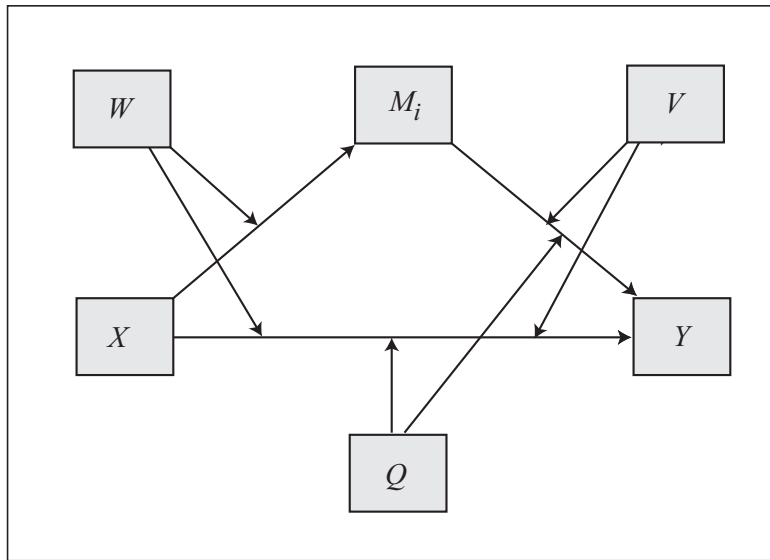


Conditional indirect effect of X on Y through $M_i = (a_{1i} + a_{3i}W)(b_{1i} + b_{4i}V + b_{5i}Q)$
 Conditional direct effect of X on $Y = c_1' + c_3'W$

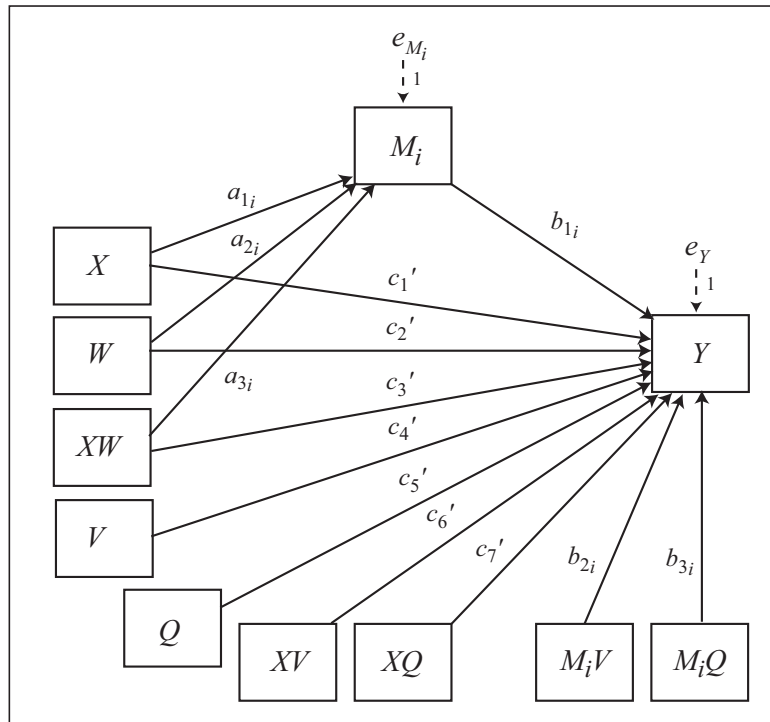
*Model 40 allows up to 10 mediators operating in parallel

Model 41

Conceptual Diagram



Statistical Diagram



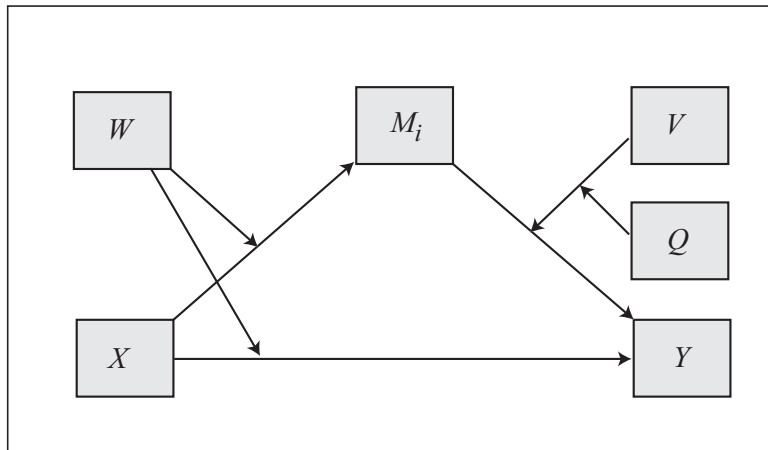
Conditional indirect effect of X on Y through $M_i = (a_{1i} + a_{3i}W)(b_{1i} + b_{2i}V + b_{3i}Q)$

Conditional direct effect of X on $Y = c_1' + c_3'W + c_6'V + c_7'Q$

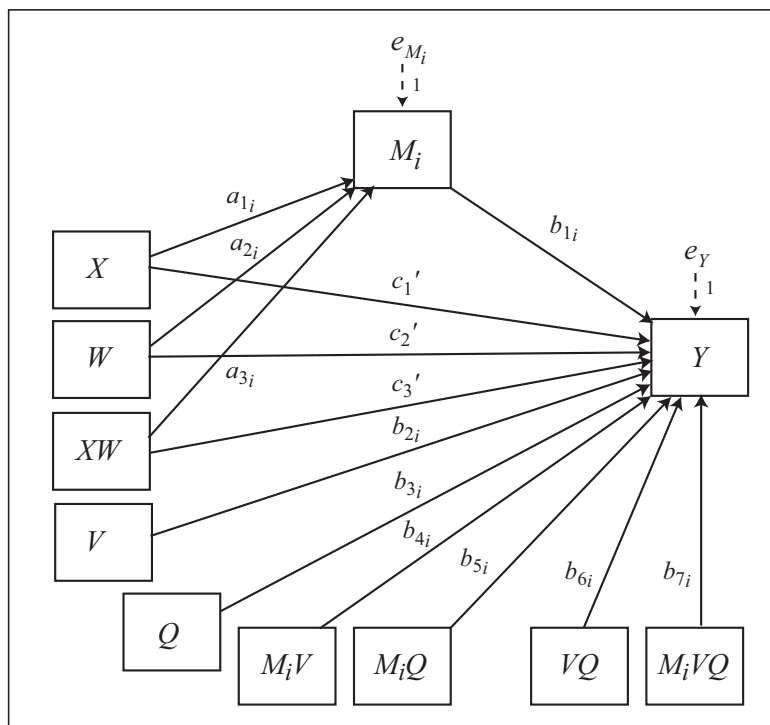
*Model 41 allows up to 10 mediators operating in parallel

Model 42

Conceptual Diagram



Statistical Diagram

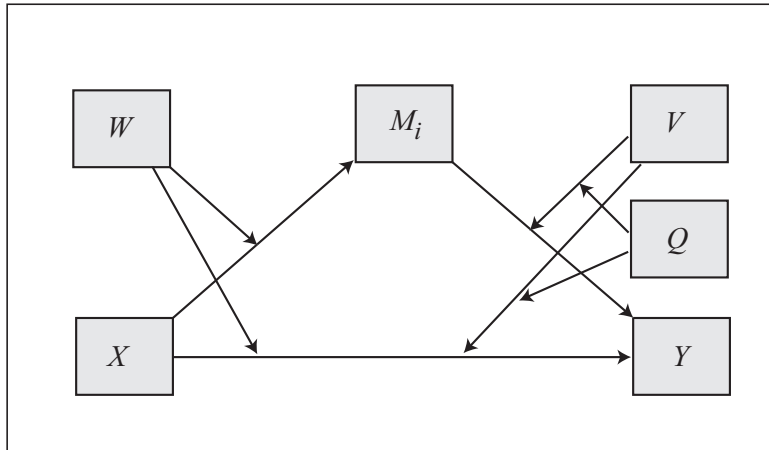


Conditional indirect effect of X on Y through $M_i = (a_{1i} + a_{3i}W)(b_{1i} + b_{4i}V + b_{5i}Q + b_{7i}VQ)$
 Conditional direct effect of X on $Y = c_1' + c_3'W$

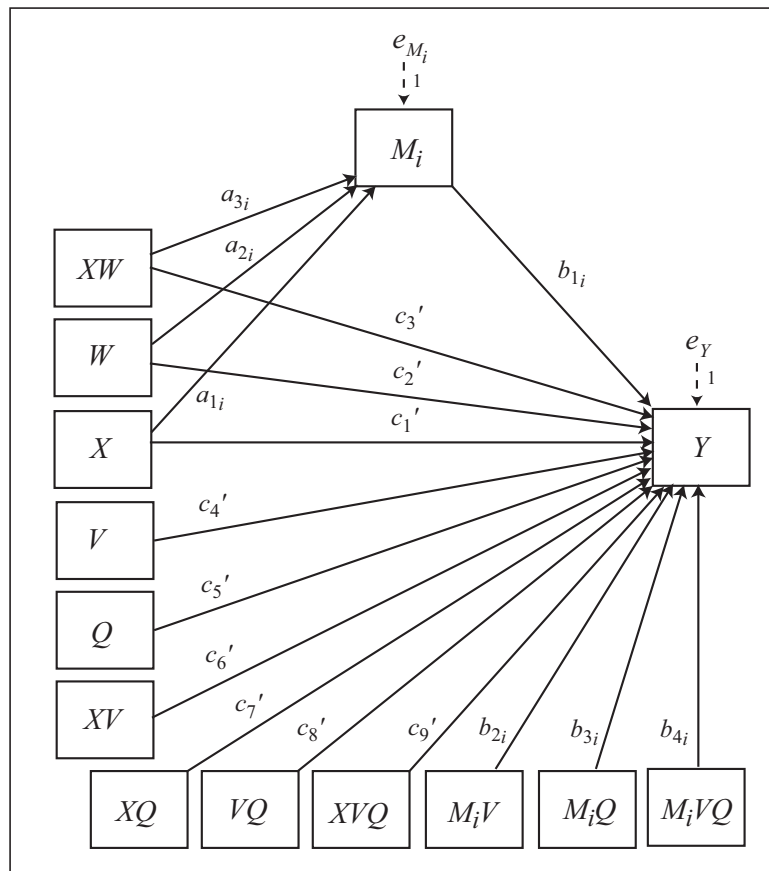
*Model 42 allows up to 10 mediators operating in parallel

Model 43

Conceptual Diagram



Statistical Diagram



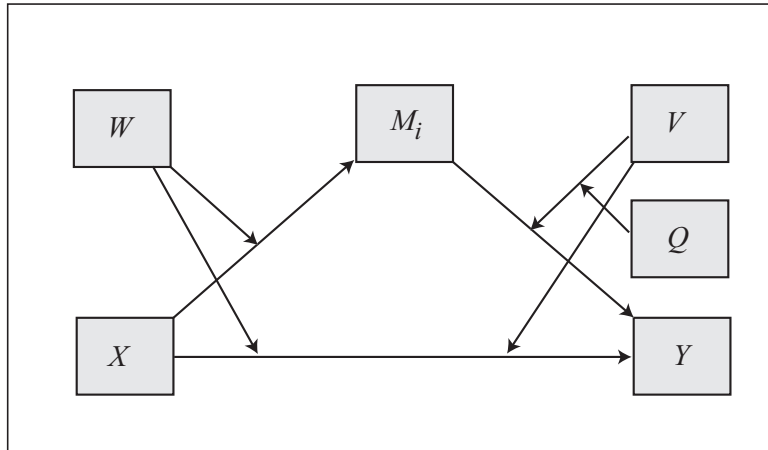
Conditional indirect effect of X on Y through $M_i = (a_{1i} + a_{3i}W)(b_{1i} + b_{2i}V + b_{3i}Q + b_{4i}VQ)$

Conditional direct effect of X on $Y = c_1' + c_3'W + c_6'V + c_7'Q + c_9'VQ$

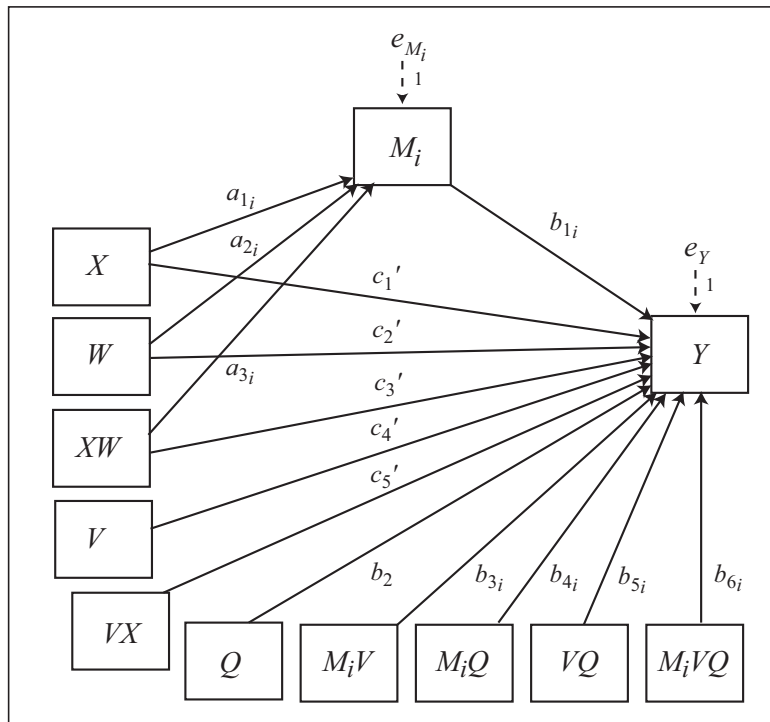
*Model 43 allows up to 10 mediators operating in parallel

Model 44

Conceptual Diagram



Statistical Diagram



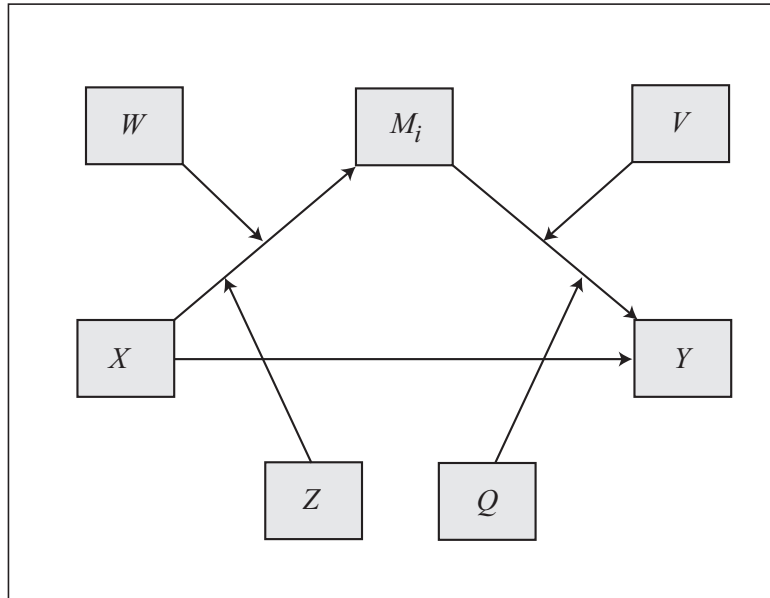
Conditional indirect effect of X on Y through $M_i = (a_{1i} + a_{3i}W)(b_{1i} + b_{3i}V + b_{4i}Q + b_{6i}VQ)$

Conditional direct effect of X on $Y = c_1' + c_3'W + c_5'V$

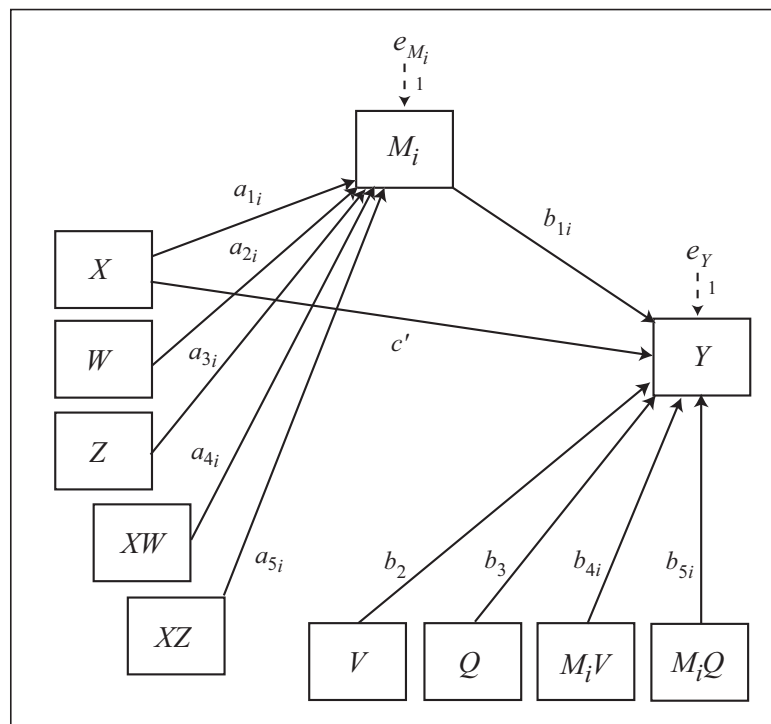
*Model 44 allows up to 10 mediators operating in parallel

Model 45

Conceptual Diagram



Statistical Diagram



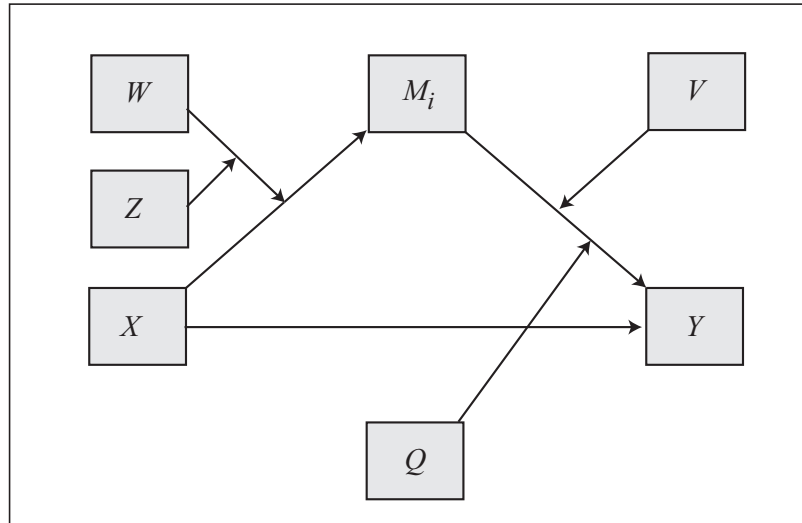
Conditional indirect effect of X on Y through $M_i = (a_{1i} + a_{4i}W + a_{5i}Z)(b_{1i} + b_{4i}V + b_{5i}Q)$

Direct effect of X on $Y = c'$

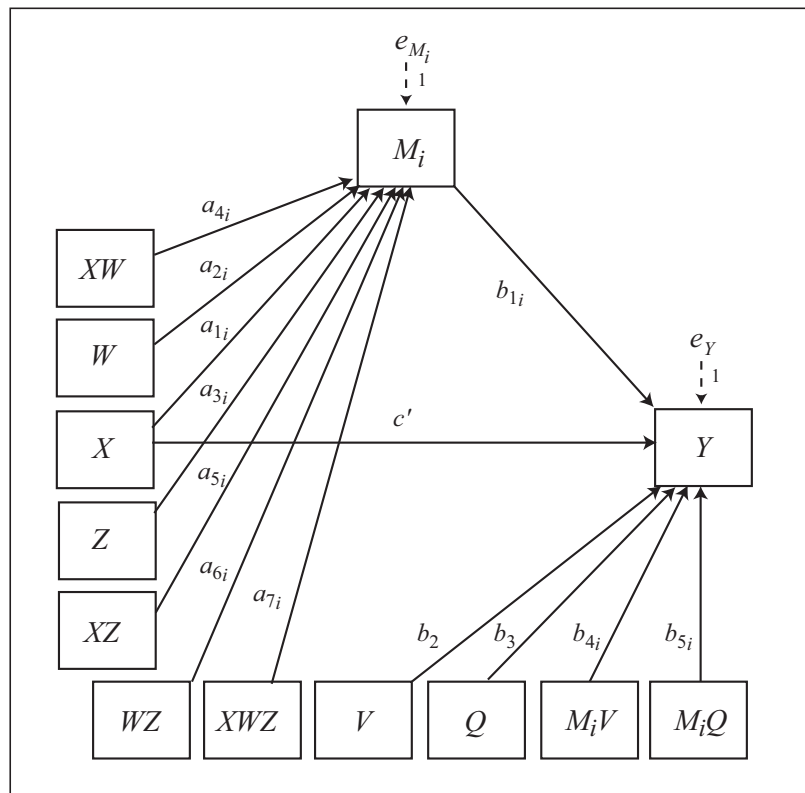
*Model 45 allows up to 10 mediators operating in parallel

Model 46

Conceptual Diagram



Statistical Diagram

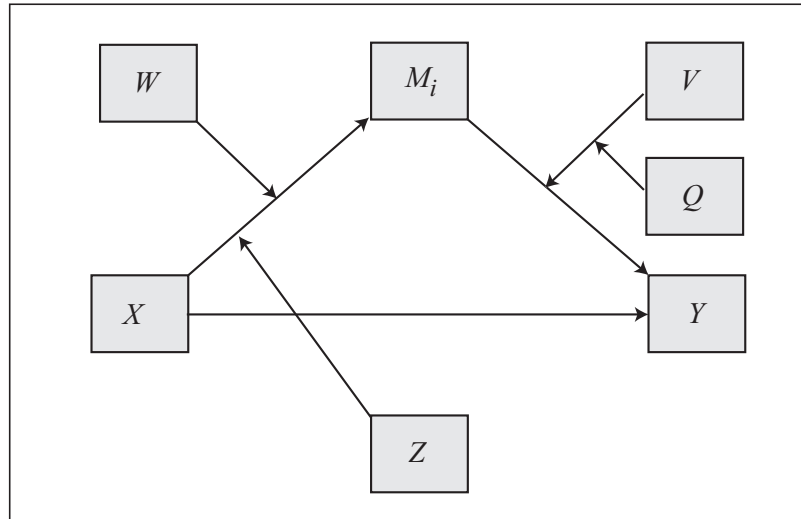


Conditional indirect effect of X on Y through $M_i = (a_{1i} + a_{4i}W + a_{5i}Z + a_{7i}WZ)(b_{1i} + b_{4i}V + b_{5i}Q)$
 Direct effect of X on $Y = c'$

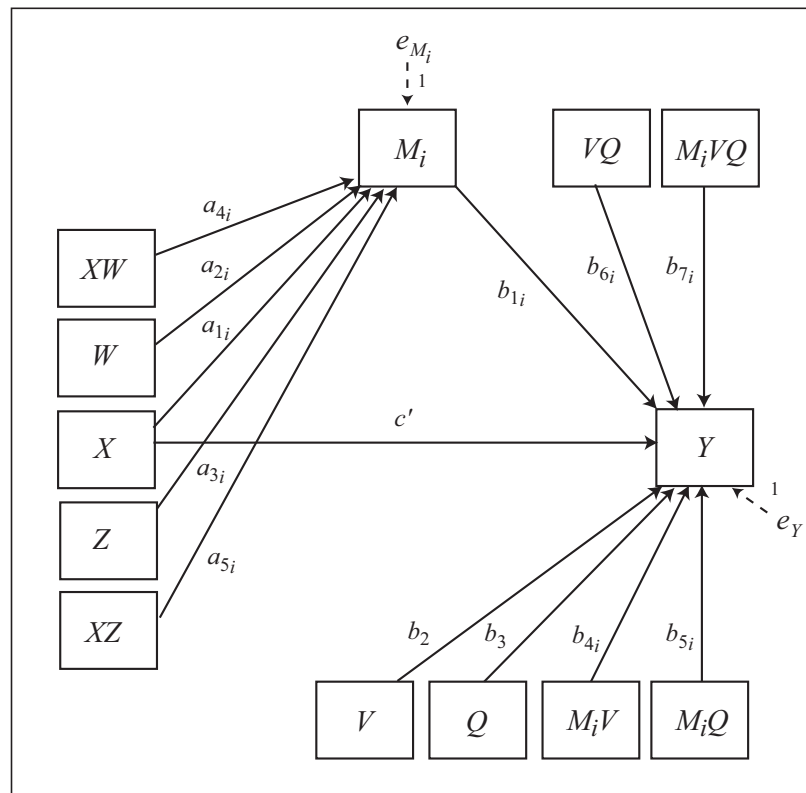
*Model 46 allows up to 10 mediators operating in parallel

Model 47

Conceptual Diagram



Statistical Diagram

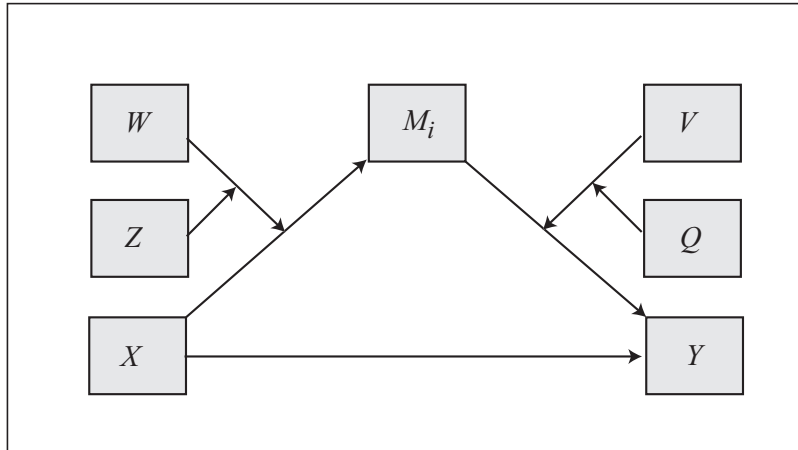


Conditional indirect effect of X on Y through $M_i = (a_{1i} + a_{4i}W + a_{5i}Z)(b_{1i} + b_{4i}V + b_{5i}Q + b_{7i}VQ)$
 Direct effect of X on $Y = c'$

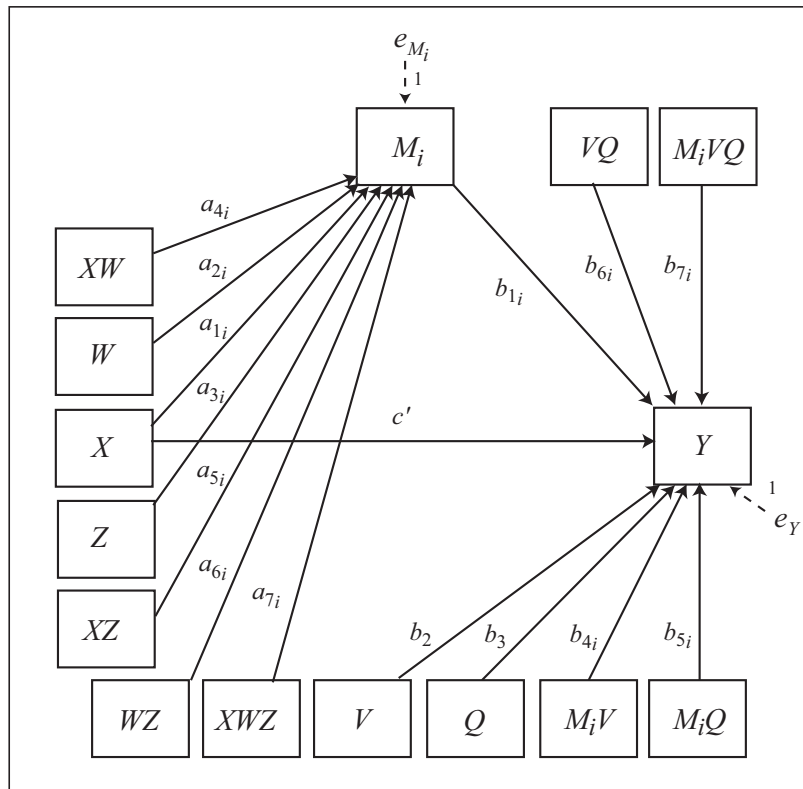
*Model 47 allows up to 10 mediators operating in parallel

Model 48

Conceptual Diagram



Statistical Diagram

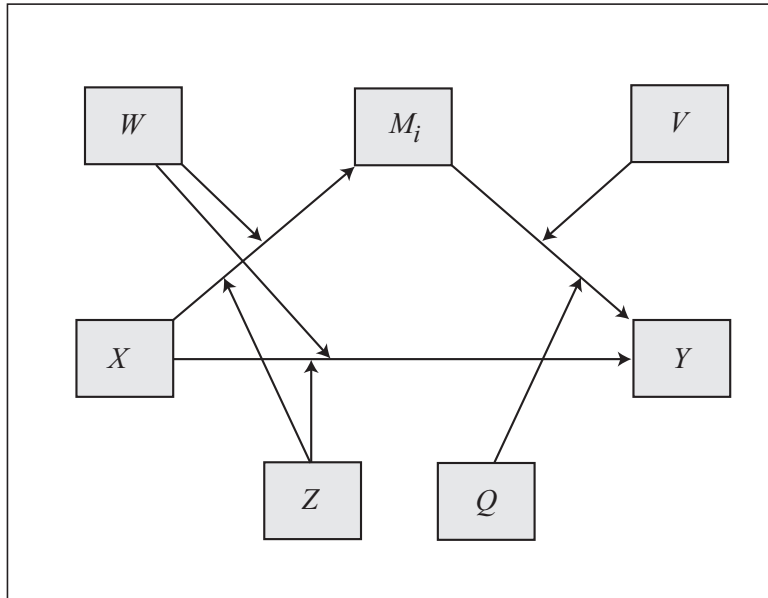


Conditional indirect effect of X on Y through $M_i = (a_{1i} + a_{4i}W + a_{5i}Z + a_{7i}WZ) \cdot (b_{1i} + b_{4i}V + b_{5i}Q + b_{7i}VQ)$
 Direct effect of X on $Y = c'$

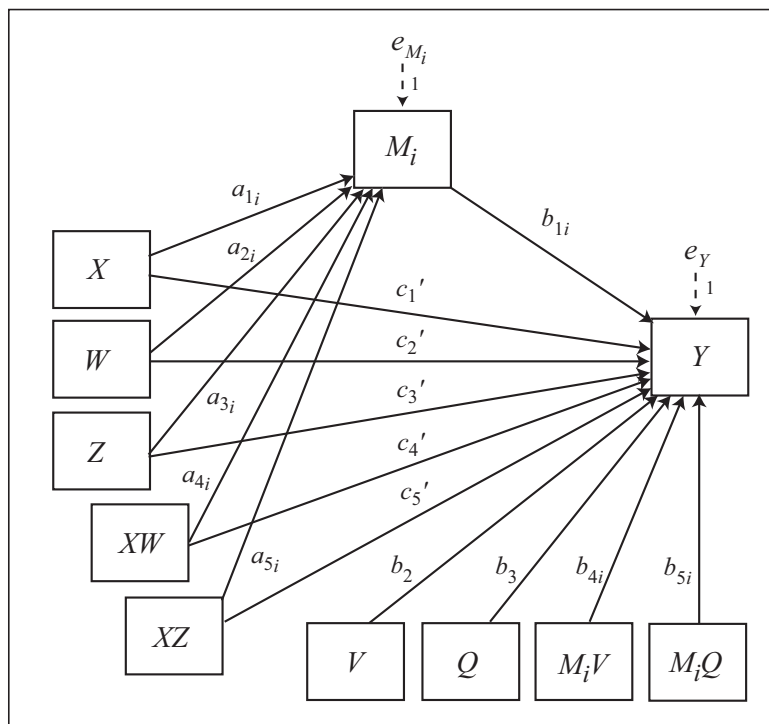
*Model 48 allows up to 10 mediators operating in parallel

Model 49

Conceptual Diagram



Statistical Diagram



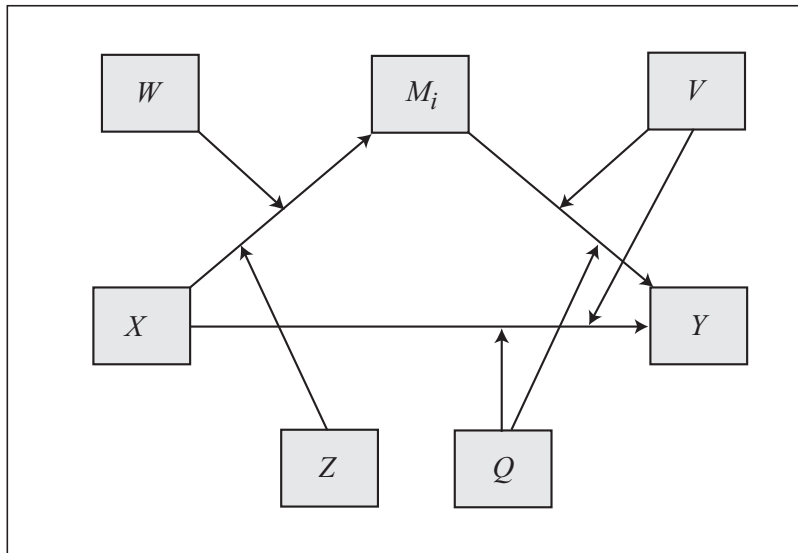
Conditional indirect effect of X on Y through $M_i = (a_{1i} + a_{4i}W + a_{5i}Z)(b_{1i} + b_{4i}V + b_{5i}Q)$

Conditional direct effect of X on $Y = + c_1' + c_4'W + c_5'Z$

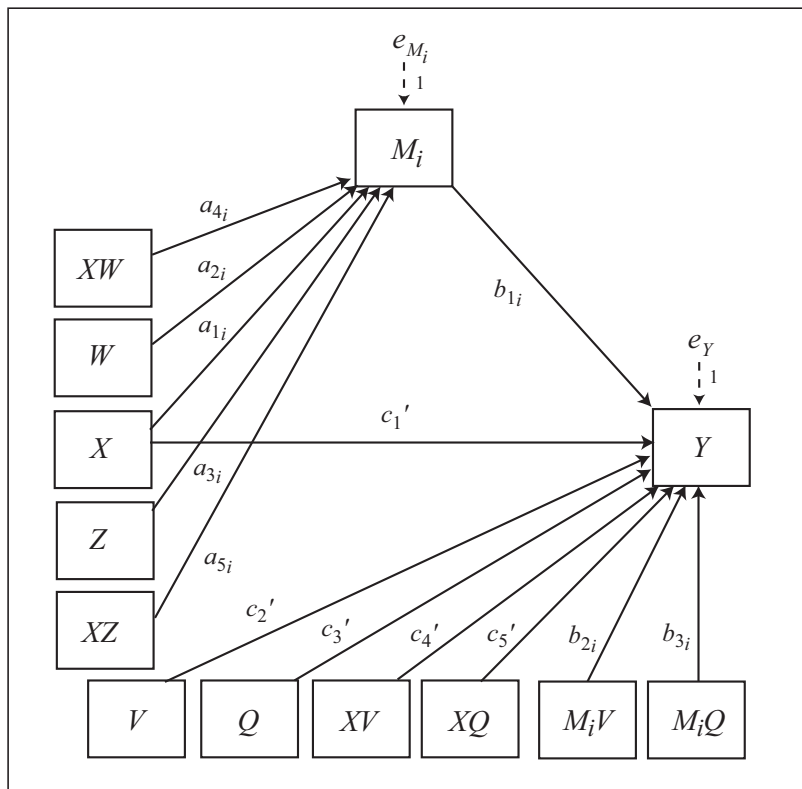
*Model 49 allows up to 10 mediators operating in parallel

Model 50

Conceptual Diagram



Statistical Diagram



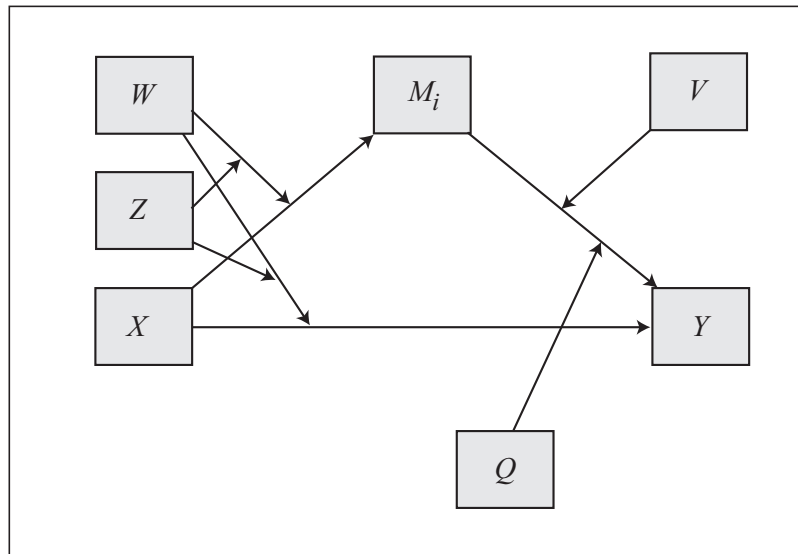
Conditional indirect effect of X on Y through $M_i = (a_{1i} + a_{4i}W + a_{5i}Z)(b_{1i} + b_{2i}V + b_{3i}Q)$

Conditional direct effect of X on $Y = c_1' + c_4'V + c_5'Q$

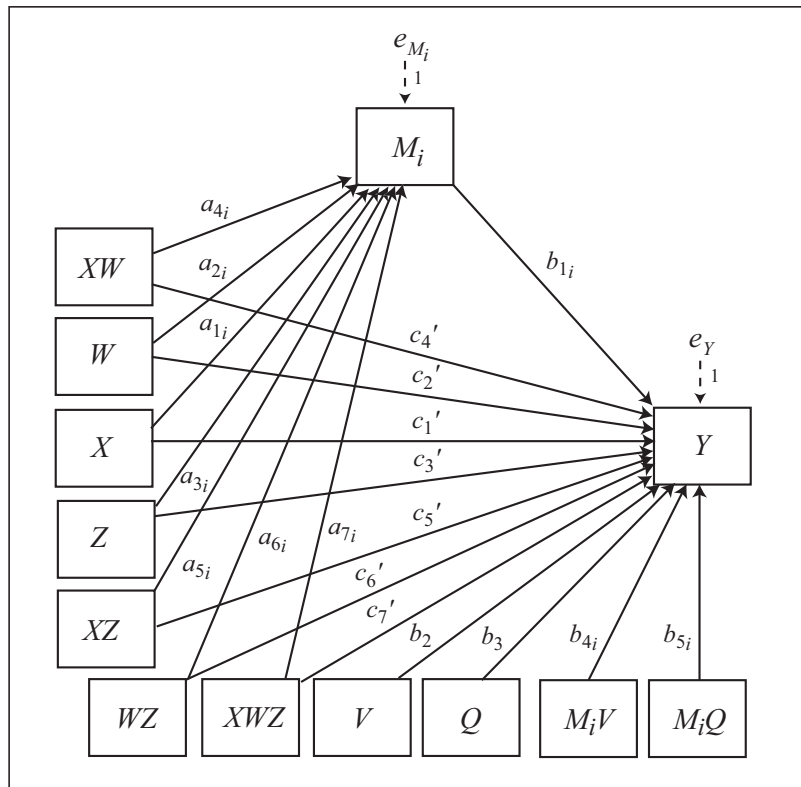
*Model 50 allows up to 10 mediators operating in parallel

Model 51

Conceptual Diagram



Statistical Diagram



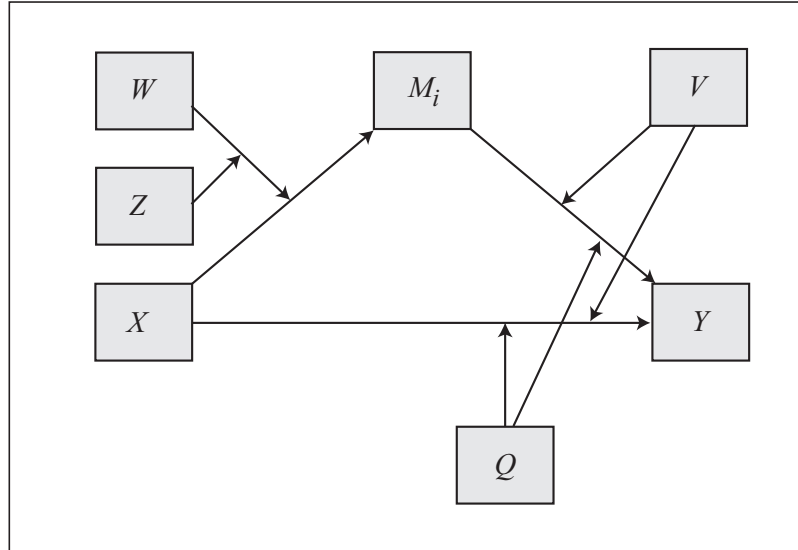
Conditional indirect effect of X on Y through $M_i = (a_{1i} + a_{4i}W + a_{5i}Z + a_{7i}WZ)(b_{1i} + b_{4i}V + b_{5i}Q)$

Conditional direct effect of X on $Y = c_1' + c_4'W + c_5'Z + c_7'WZ$

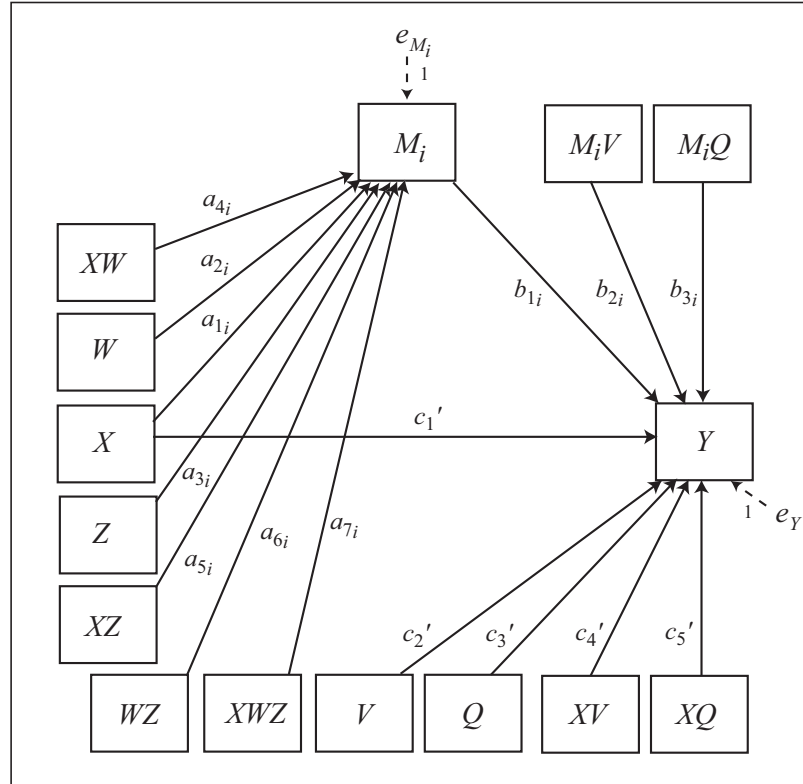
*Model 51 allows up to 10 mediators operating in parallel

Model 52

Conceptual Diagram



Statistical Diagram



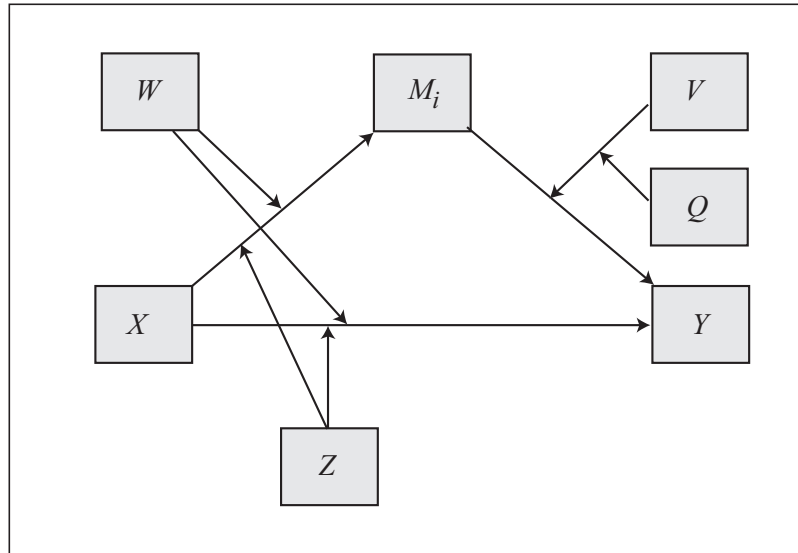
Conditional indirect effect of X on Y through M_i = (a_{1i} + a_{4i}W + a_{5i}Z + a_{7i}WZ)(b_{1i} + b_{2i}V + b_{3i}Q)

Conditional direct effect of X on Y = c₁' + c₄'V + c₅'Q

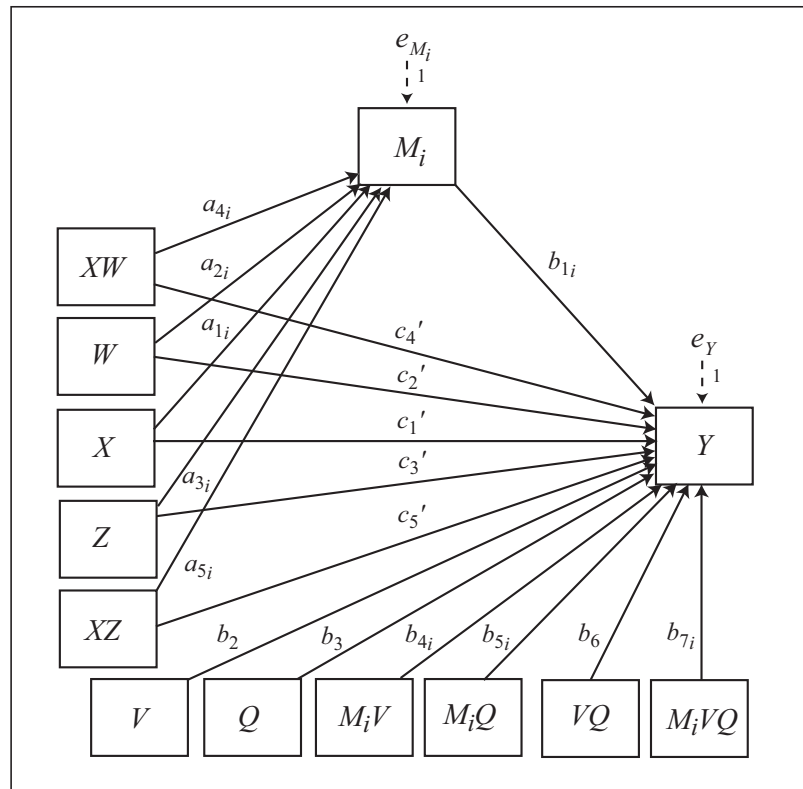
*Model 52 allows up to 10 mediators operating in parallel

Model 53

Conceptual Diagram



Statistical Diagram



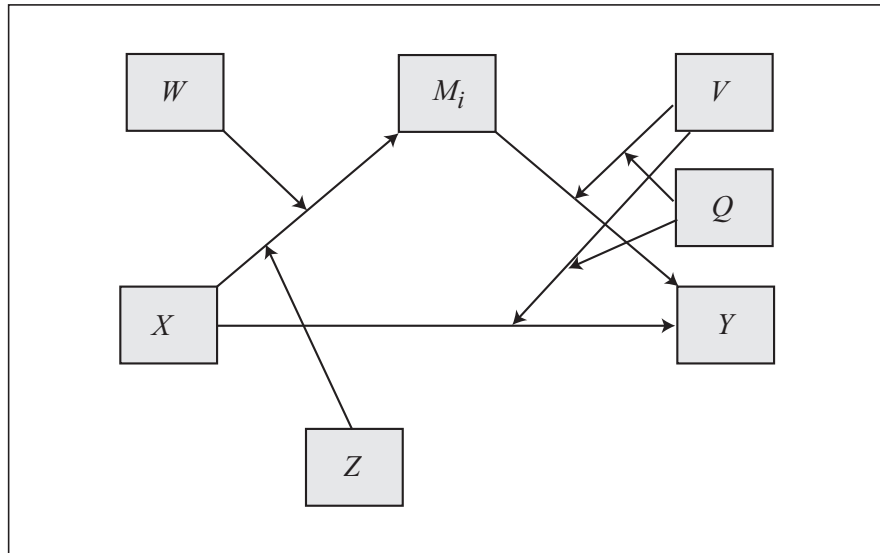
Conditional indirect effect of X on Y through $M_i = (a_{1i} + a_{4i}W + a_{5i}Z)(b_{1i} + b_{4i}V + b_{5i}Q + b_{7i}VQ)$

Conditional direct effect of X on $Y = c_1' + c_4'W + c_5'Z$

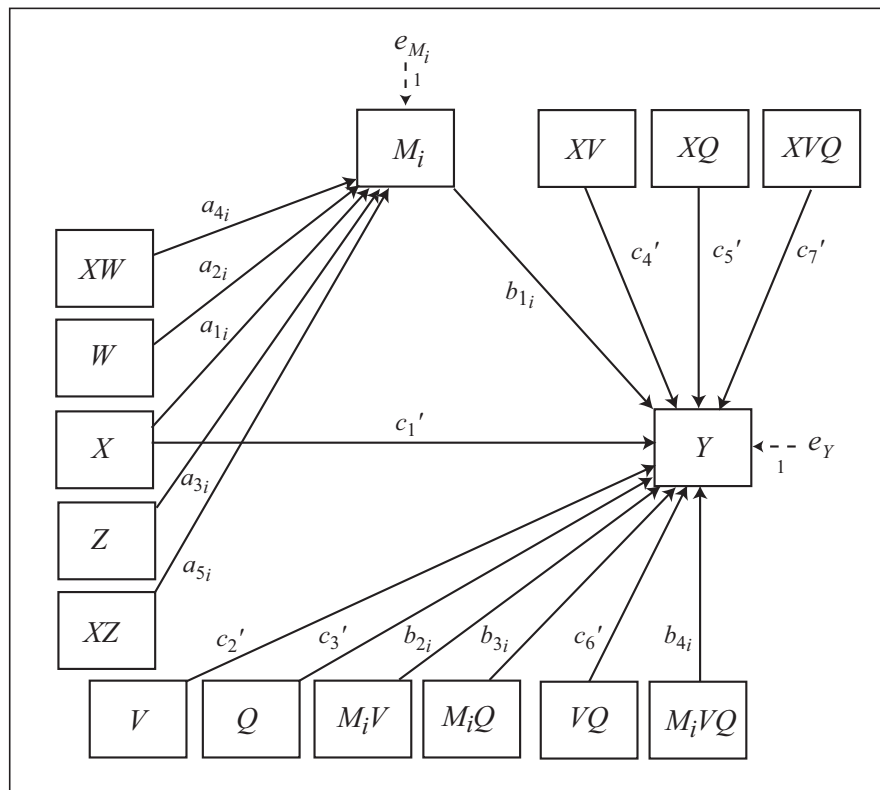
*Model 53 allows up to 10 mediators operating in parallel

Model 54

Conceptual Diagram



Statistical Diagram



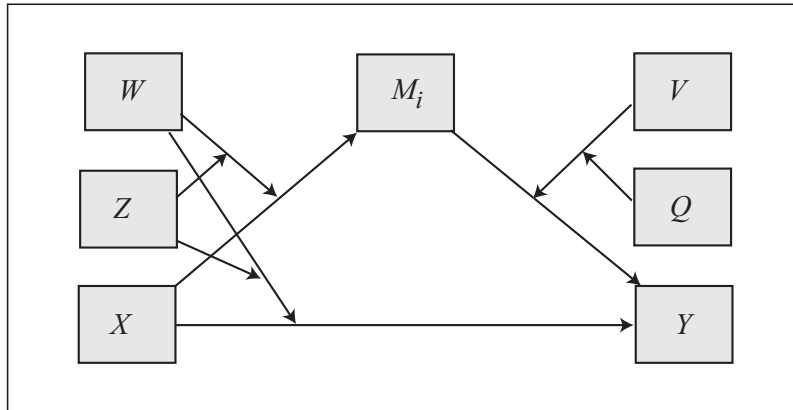
Conditional indirect effect of X on Y through $M_i = (a_{1i} + a_{4i}W + a_{5i}Z)(b_{1i} + b_{2i}V + b_{3i}Q + b_{4i}VQ)$

Conditional direct effect of X on $Y = c_1' + c_4'V + c_5'Q + c_7'VQ$

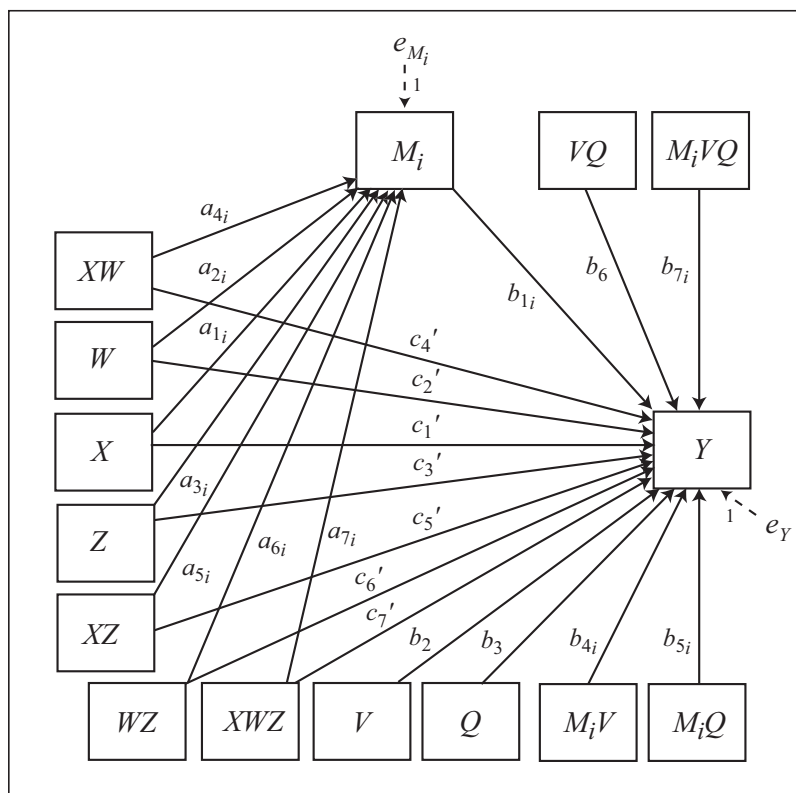
*Model 54 allows up to 10 mediators operating in parallel

Model 55

Conceptual Diagram



Statistical Diagram



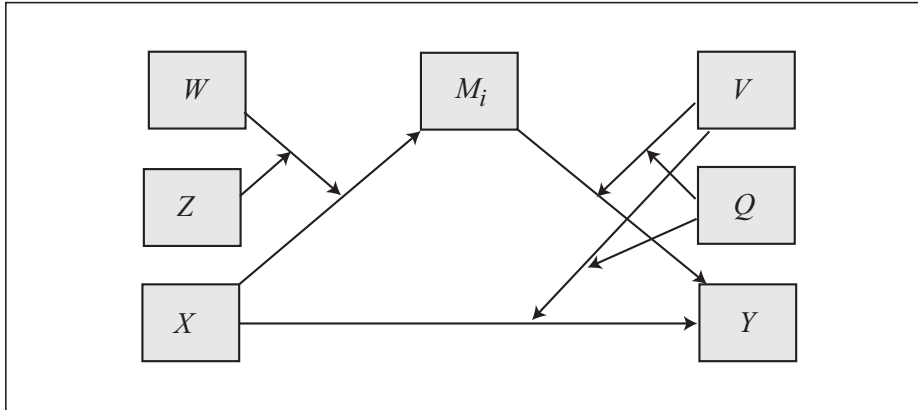
$$\text{Conditional indirect effect of } X \text{ on } Y \text{ through } M_i = (a_{1i} + a_{4i}W + a_{5i}Z + a_{7i}WZ) \cdot (b_{1i} + b_{4i}V + b_{5i}Q + b_{7i}VQ)$$

$$\text{Conditional direct effect of } X \text{ on } Y = c_1' + c_4'W + c_5'Z + c_7'WZ$$

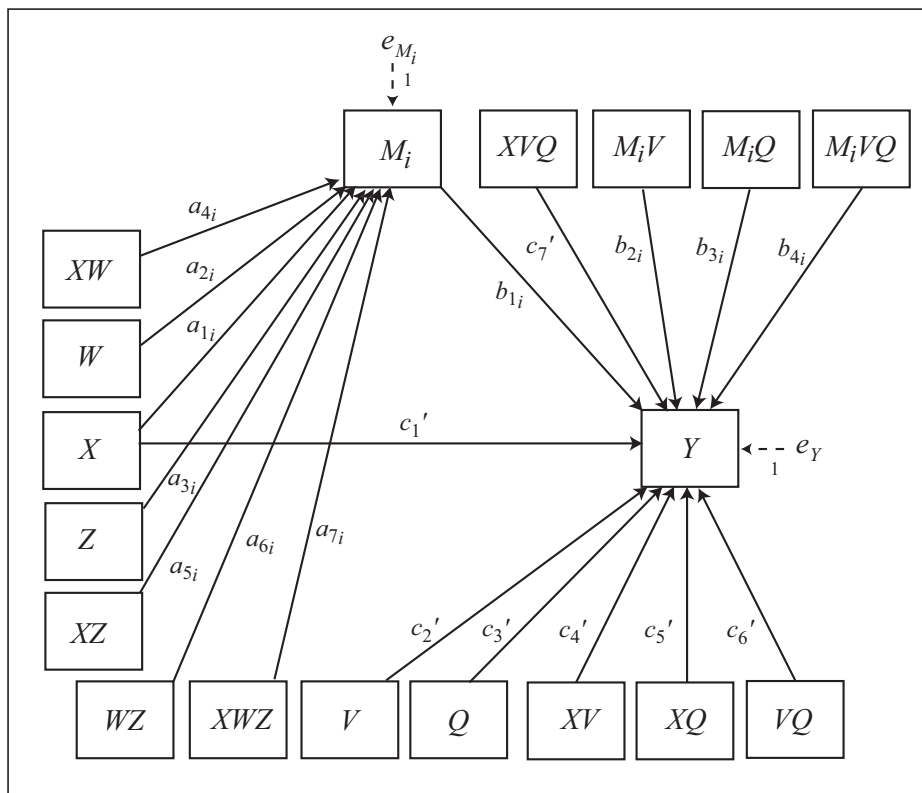
*Model 55 allows up to 10 mediators operating in parallel

Model 56

Conceptual Diagram



Statistical Diagram



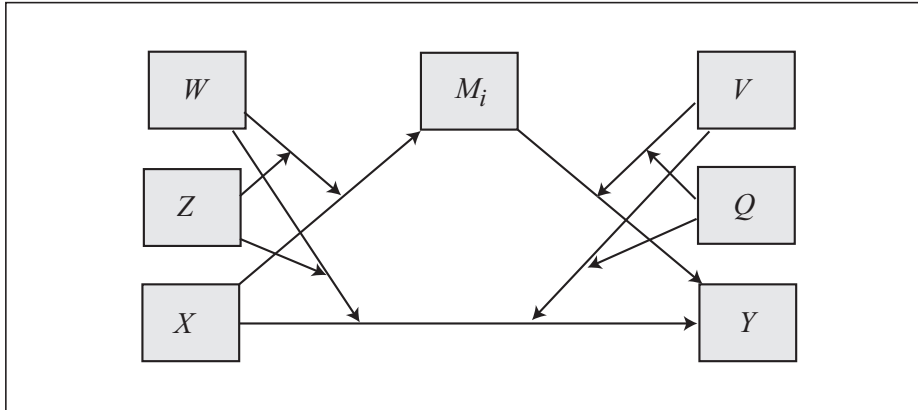
$$\text{Conditional indirect effect of } X \text{ on } Y \text{ through } M_i = (a_{1i} + a_{4i}W + a_{5i}Z + a_{7i}WZ) \cdot (b_{1i} + b_{2i}V + b_{3i}Q + b_{4i}VQ)$$

$$\text{Conditional direct effect of } X \text{ on } Y = (c_{1'} + c_{4'}V + c_{5'}Q + c_{7'}VQ)$$

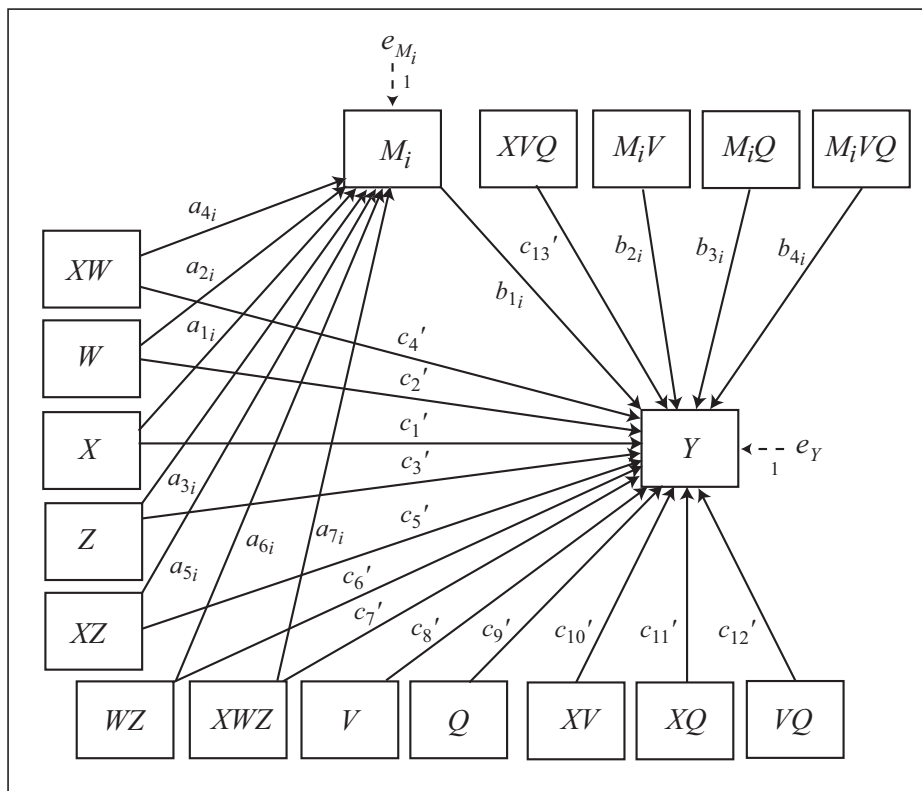
*Model 56 allows up to 10 mediators operating in parallel

Model 57

Conceptual Diagram



Statistical Diagram



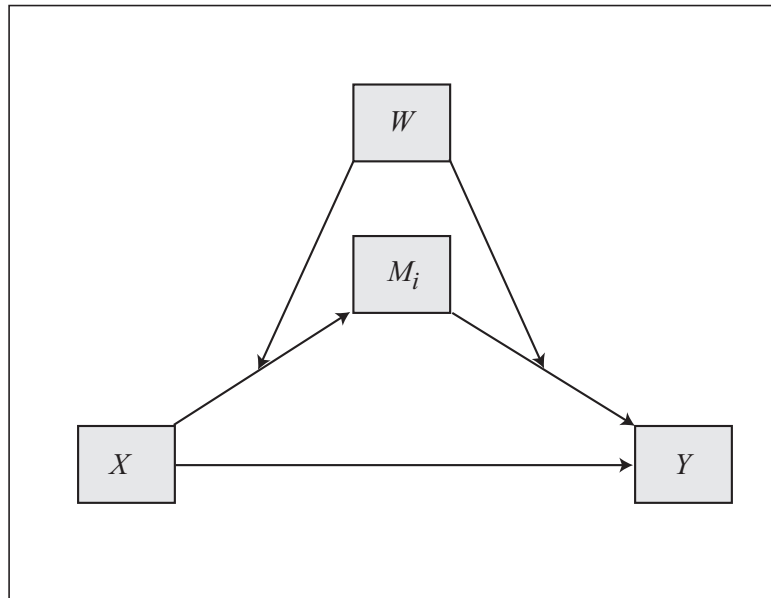
$$\text{Conditional indirect effect of } X \text{ on } Y \text{ through } M_i = (a_{1i} + a_{4i}W + a_{5i}Z + a_{7i}WZ) \cdot (b_{1i} + b_{2i}V + b_{3i}Q + b_{4i}VQ)$$

$$\text{Conditional direct effect of } X \text{ on } Y = (c_{1i}' + c_{4i}'W + c_{5i}'Z + c_{7i}'WZ + c_{10i}'V + c_{11i}'Q + c_{13i}'VQ)$$

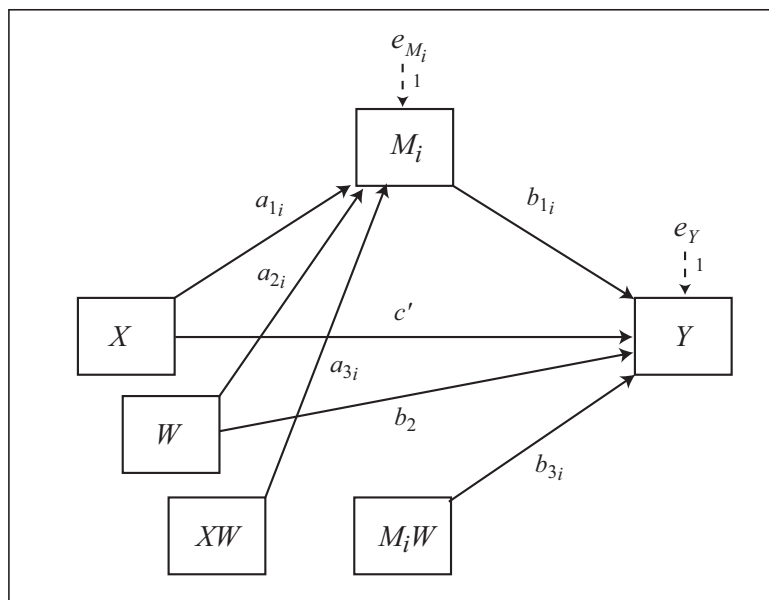
*Model 57 allows up to 10 mediators operating in parallel

Model 58

Conceptual Diagram



Statistical Diagram

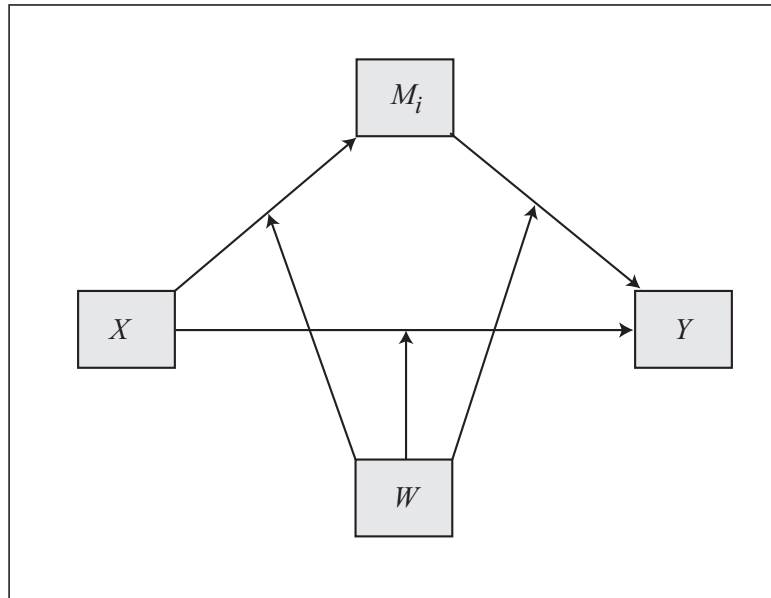


Conditional indirect effect of X on Y through $M_i = (a_{1i} + a_{3i}W)(b_{1i} + b_{3i}W)$
 Direct effect of X on $Y = c'$

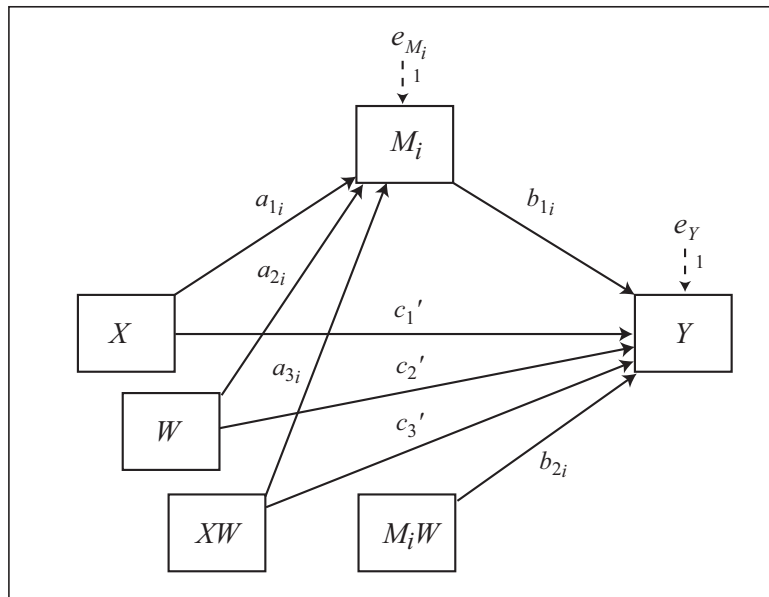
Note: Model 58 allows up to 10 mediators operating in parallel.

Model 59

Conceptual Diagram



Statistical Diagram



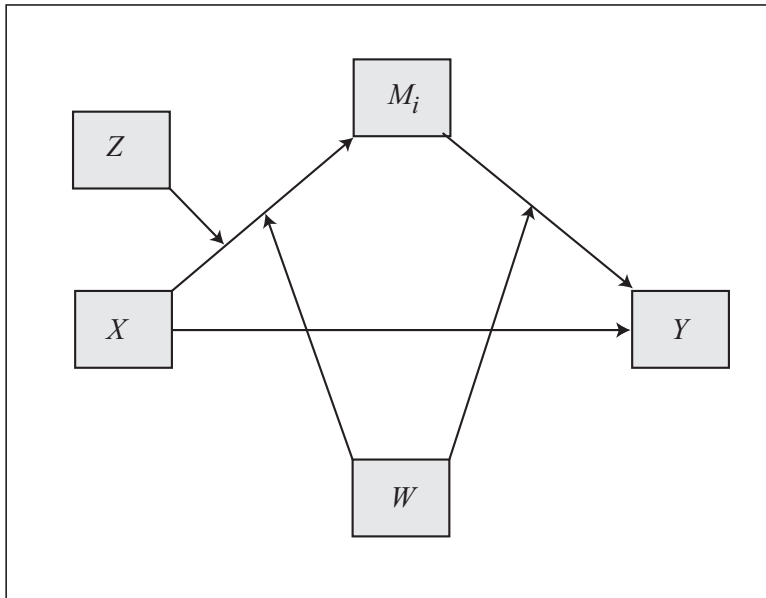
Conditional indirect effect of X on Y through $M_i = (a_{1i} + a_{3i}W) (b_{1i} + b_{2i}W)$

Conditional direct effect of X on $Y = c_1' + c_3'W$

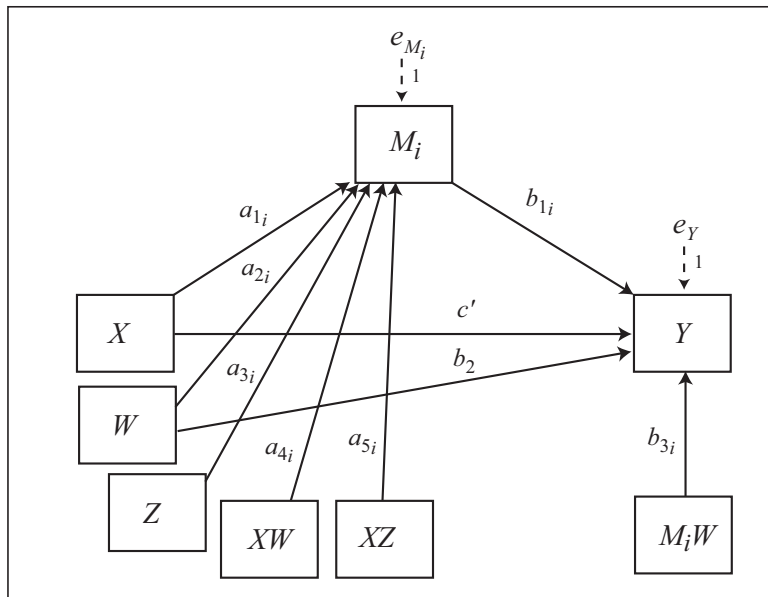
Note: Model 59 allows up to 10 mediators operating in parallel.

Model 60

Conceptual Diagram



Statistical Diagram

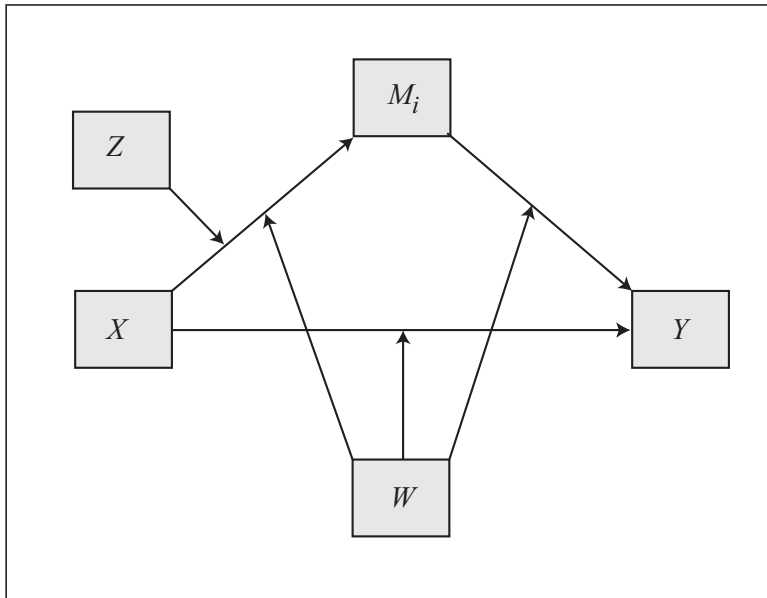


Conditional indirect effect of X on Y through $M_i = (a_{1i} + a_{4i}W + a_{5i}Z)(b_{1i} + b_{3i}W)$
 Direct effect of X on $Y = c'$

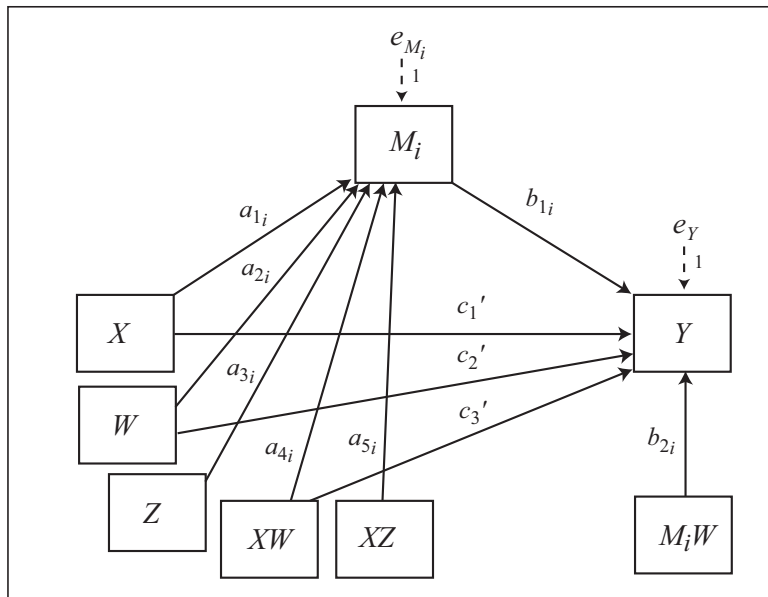
*Model 60 allows up to 10 mediators operating in parallel

Model 61

Conceptual Diagram



Statistical Diagram

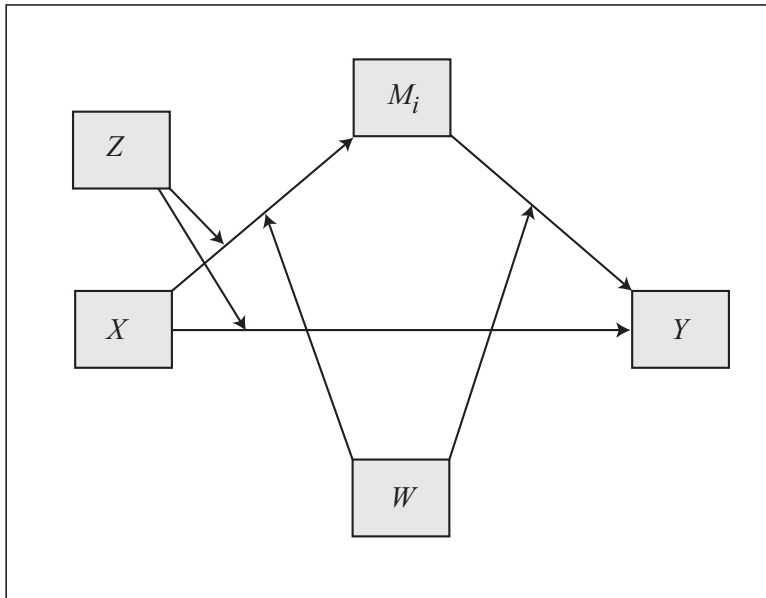


Conditional indirect effect of X on Y through $M_i = (a_{1i} + a_{4i}W + a_{5i}Z)(b_{1i} + b_{2i}W)$
 Conditional direct effect of X on $Y = c_1' + c_3'W$

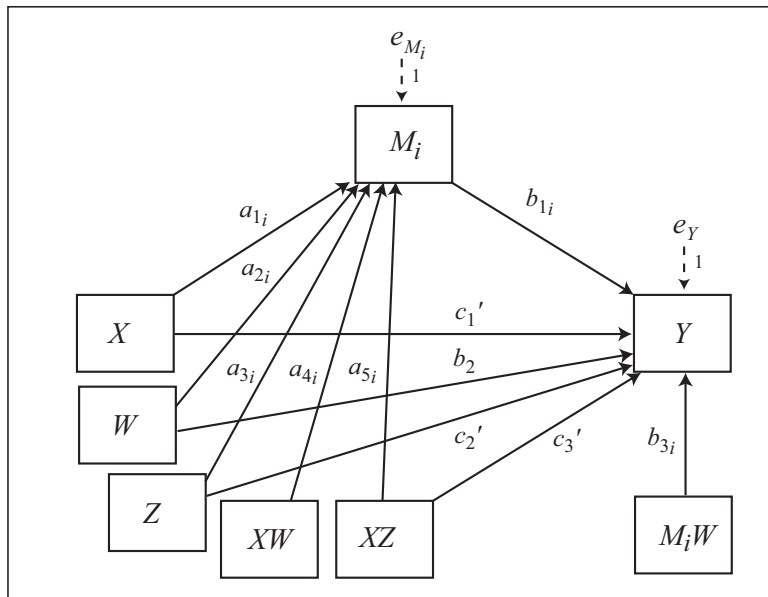
*Model 61 allows up to 10 mediators operating in parallel

Model 62

Conceptual Diagram



Statistical Diagram

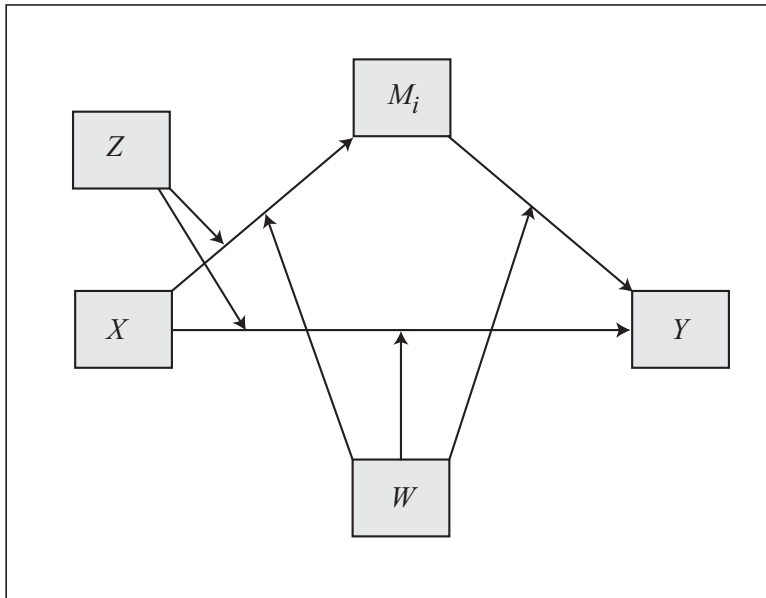


Conditional indirect effect of X on Y through $M_i = (a_{1i} + a_{4i}W + a_{5i}Z)(b_{1i} + b_{3i}W)$
 Conditional direct effect of X on $Y = c_1' + c_3'Z$

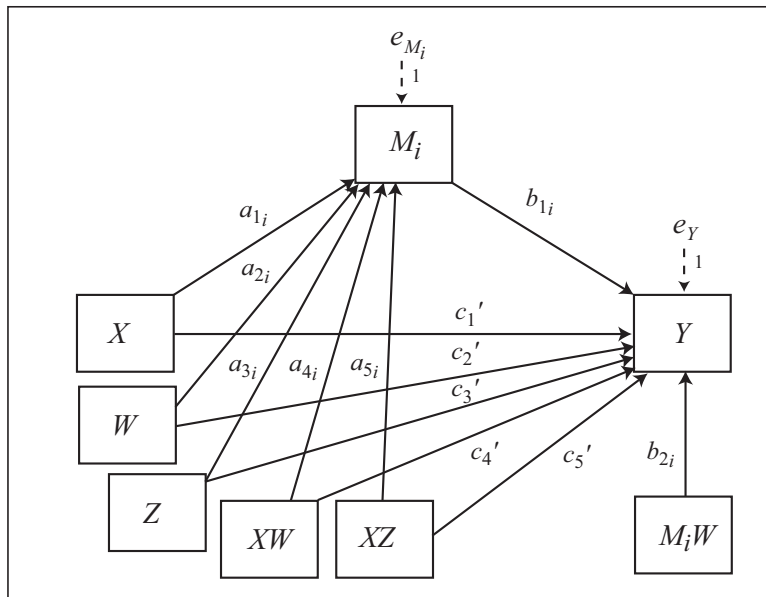
*Model 62 allows up to 10 mediators operating in parallel

Model 63

Conceptual Diagram



Statistical Diagram

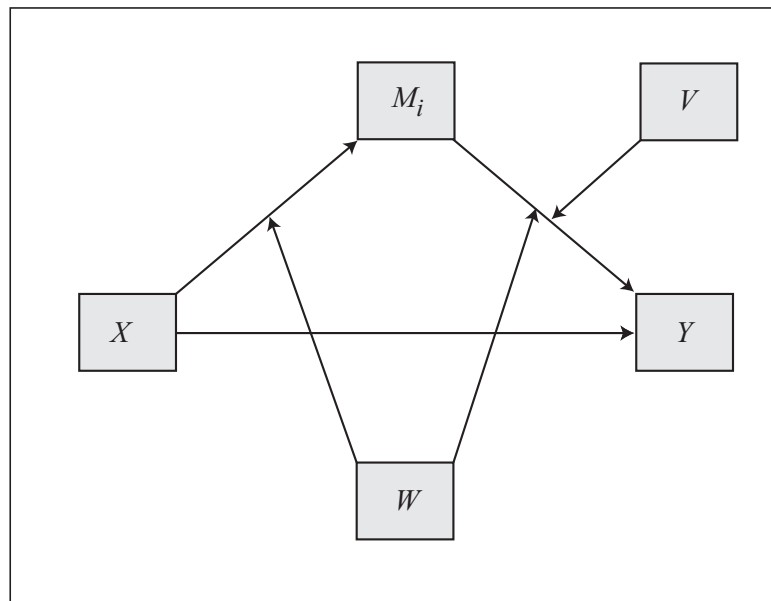


Conditional indirect effect of X on Y through $M_i = (a_{1i} + a_{4i}W + a_{5i}Z) (b_{1i} + b_{2i}W)$
 Conditional direct effect of X on $Y = c_1' + c_4'W + c_5'Z$

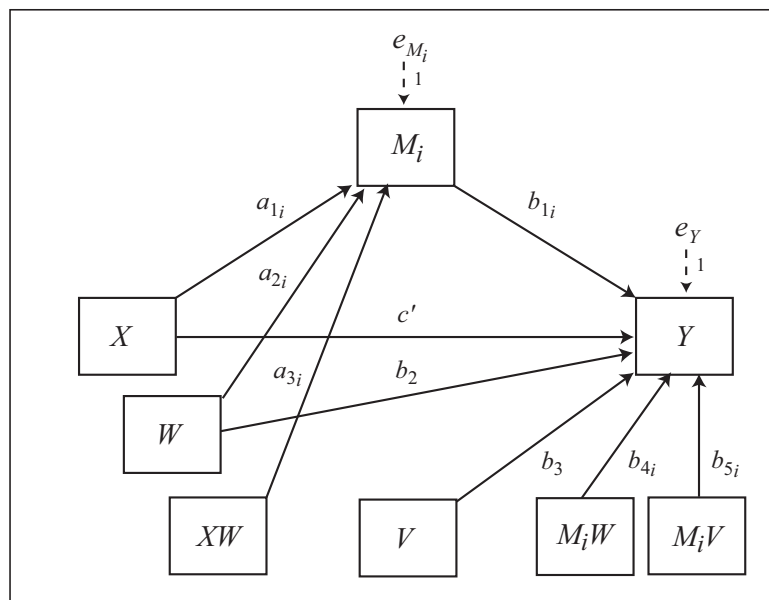
*Model 63 allows up to 10 mediators operating in parallel

Model 64

Conceptual Diagram



Statistical Diagram

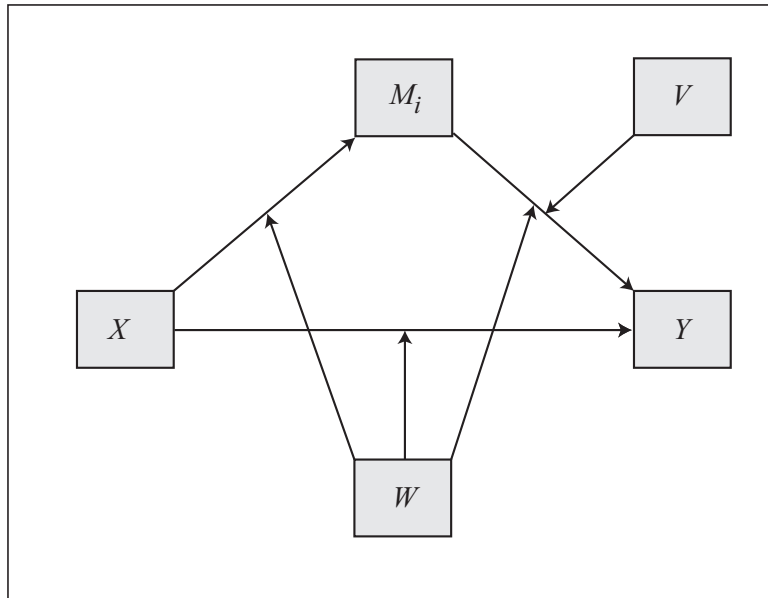


Conditional indirect effect of X on Y through $M_i = (a_{1i} + a_{3i}W)(b_{1i} + b_{4i}W + b_{5i}V)$
 Direct effect of X on $Y = c'$

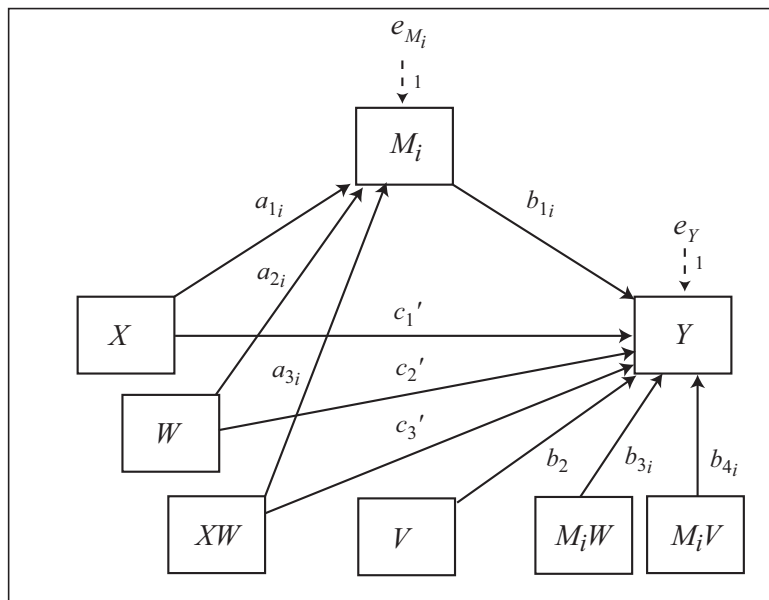
*Model 64 allows up to 10 mediators operating in parallel

Model 65

Conceptual Diagram



Statistical Diagram



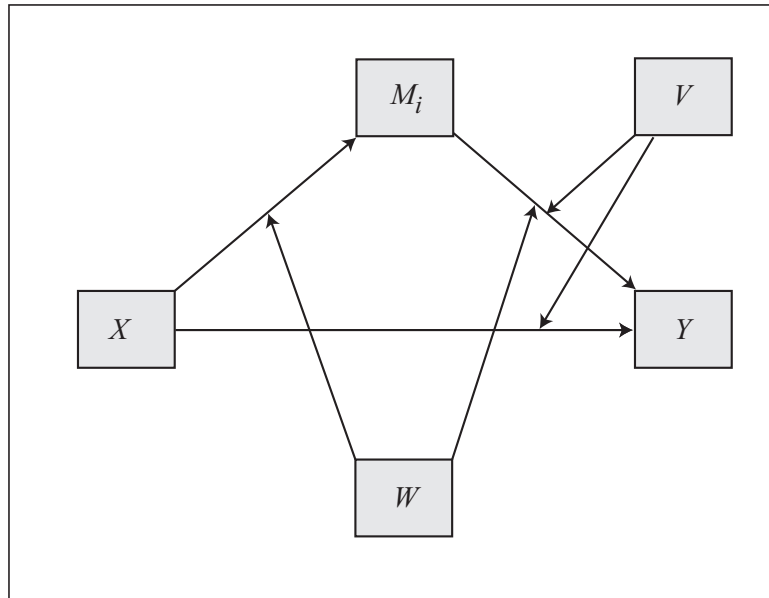
Conditional indirect effect of X on Y through $M_i = (a_{1i} + a_{3i}W) (b_{1i} + b_{3i}W + b_{4i}V)$

Conditional direct effect of X on $Y = c_1' + c_3'W$

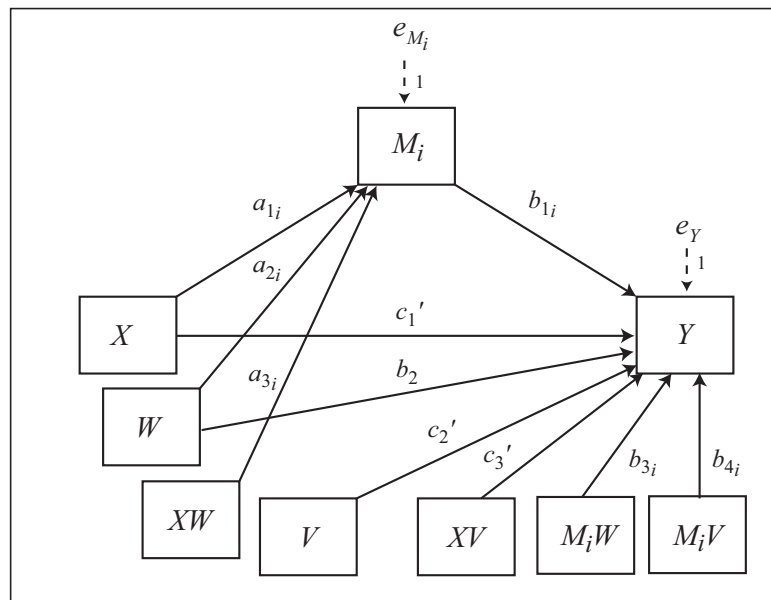
*Model 65 allows up to 10 mediators operating in parallel

Model 66

Conceptual Diagram



Statistical Diagram



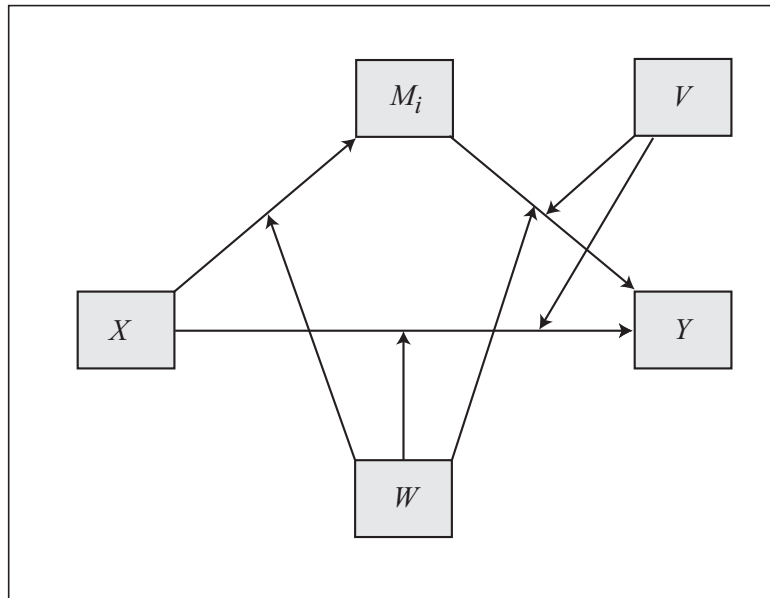
Conditional indirect effect of X on Y through $M_i = (a_{1i} + a_{3i}W)(b_{1i} + b_{3i}W + b_{4i}V)$

Conditional direct effect of X on $Y = c_1' + c_3'V$

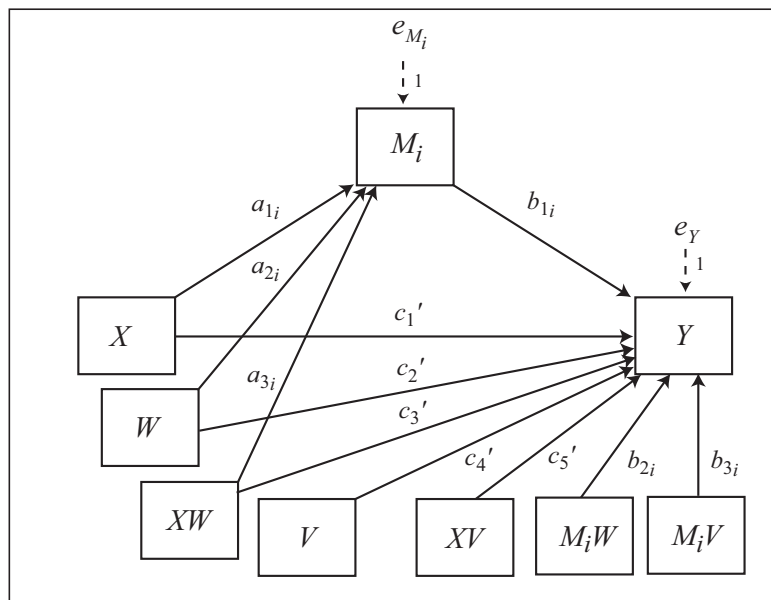
*Model 66 allows up to 10 mediators operating in parallel

Model 67

Conceptual Diagram



Statistical Diagram

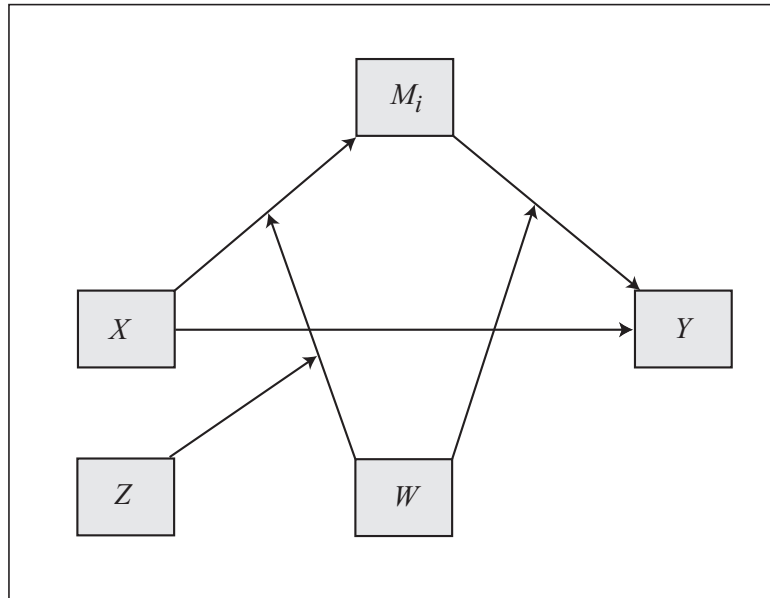


Conditional indirect effect of X on Y through $M_i = (a_{1i} + a_{3i}W) (b_{1i} + b_{2i}W + b_{3i}V)$
 Conditional direct effect of X on Y = $c_1' + c_3'W + c_5'V$

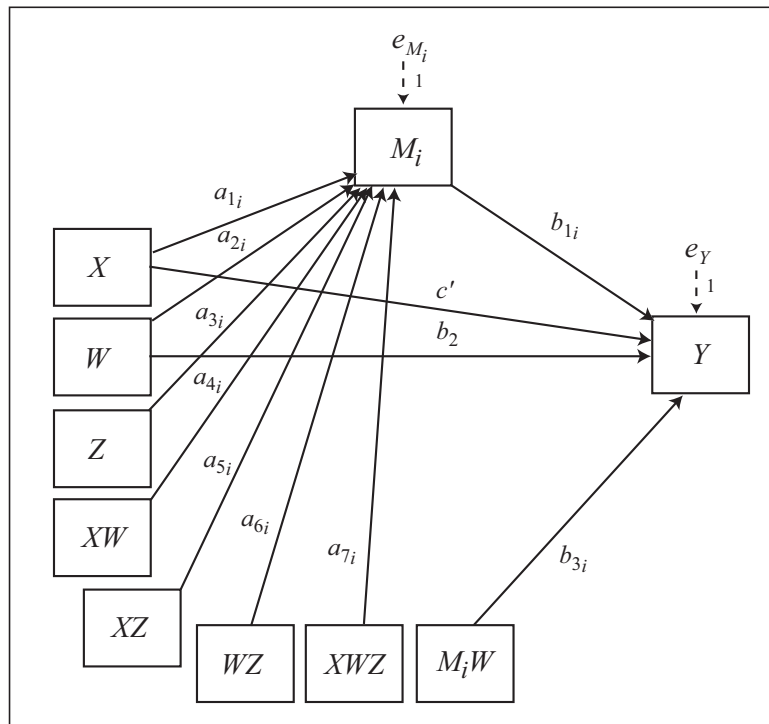
*Model 67 allows up to 10 mediators operating in parallel

Model 68

Conceptual Diagram



Statistical Diagram



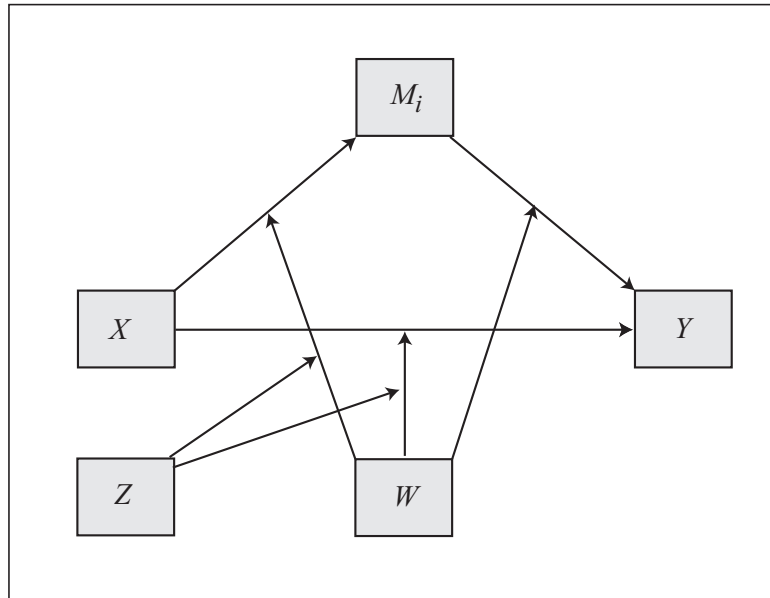
Conditional indirect effect of X on Y through $M_i = (a_{1i} + a_{4i}W + a_{5i}Z + a_{7i}WZ)(b_{1i} + b_{3i}W)$

Direct effect of X on $Y = c'$

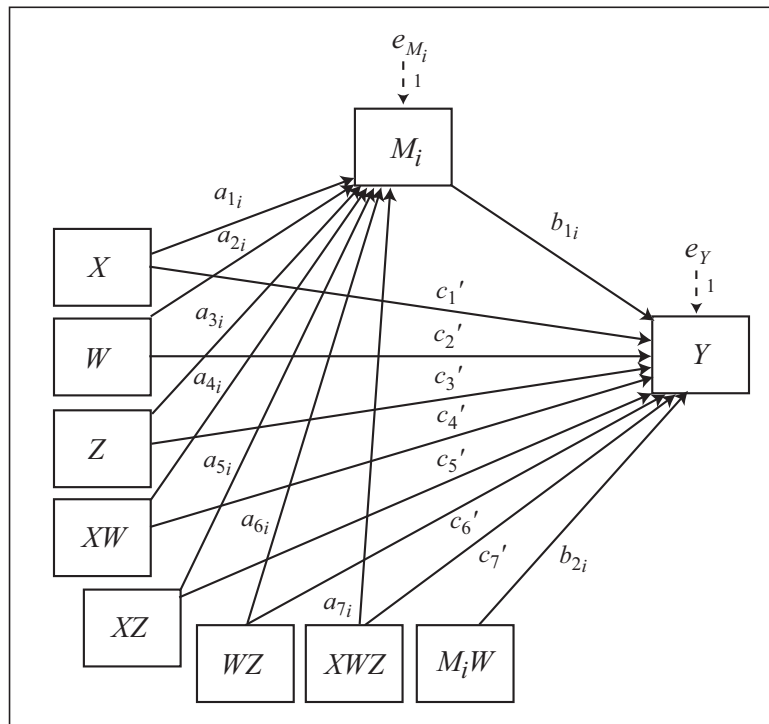
*Model 68 allows up to 10 mediators operating in parallel

Model 69

Conceptual Diagram



Statistical Diagram



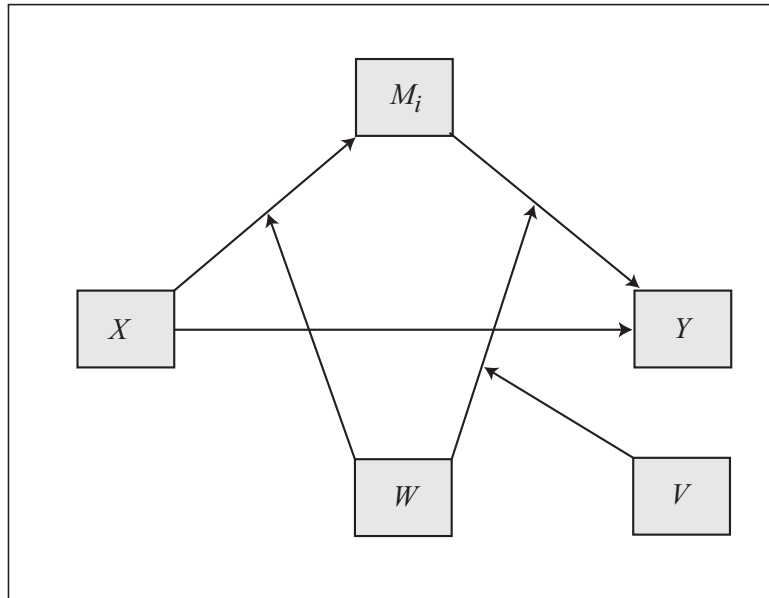
Conditional indirect effect of X on Y through $M_i = (a_{1i} + a_{4i}W + a_{5i}Z + a_{7i}WZ)(b_{1i} + b_{2i}W)$

Conditional direct effect of X on Y = $c_1' + c_4'W + c_5'Z + c_7'WZ$

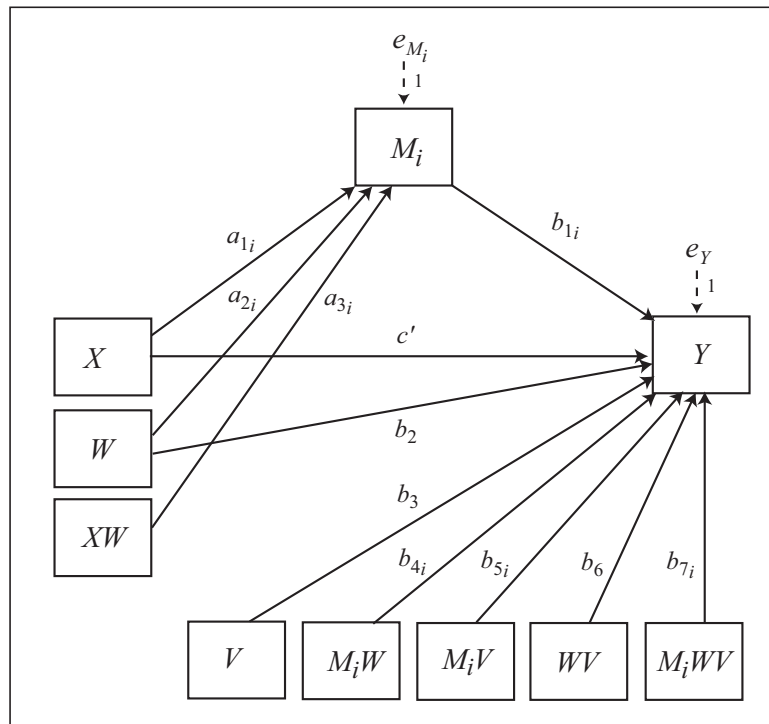
*Model 69 allows up to 10 mediators operating in parallel

Model 70

Conceptual Diagram



Statistical Diagram



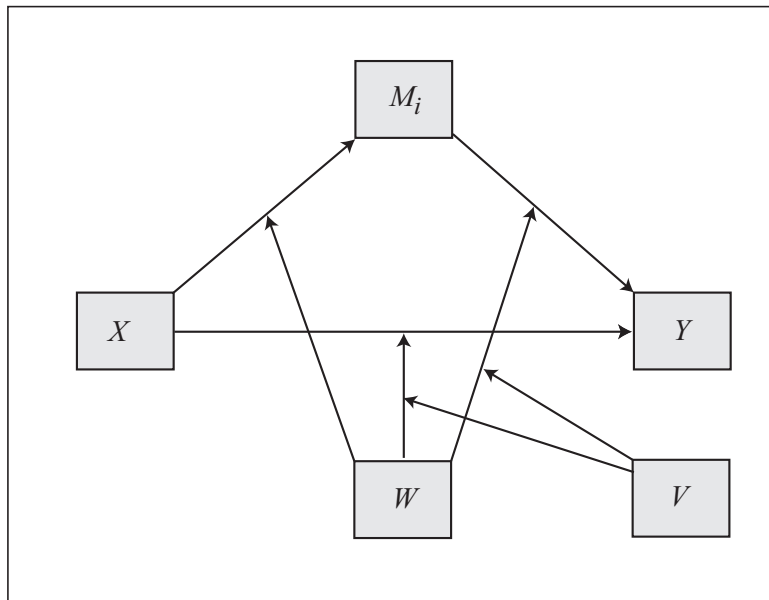
Conditional indirect effect of X on Y through $M_i = (a_{1i} + a_{3i}W)(b_{1i} + b_{4i}W + b_{5i}V + b_{7i}WV)$

Direct effect of X on $Y = c'$

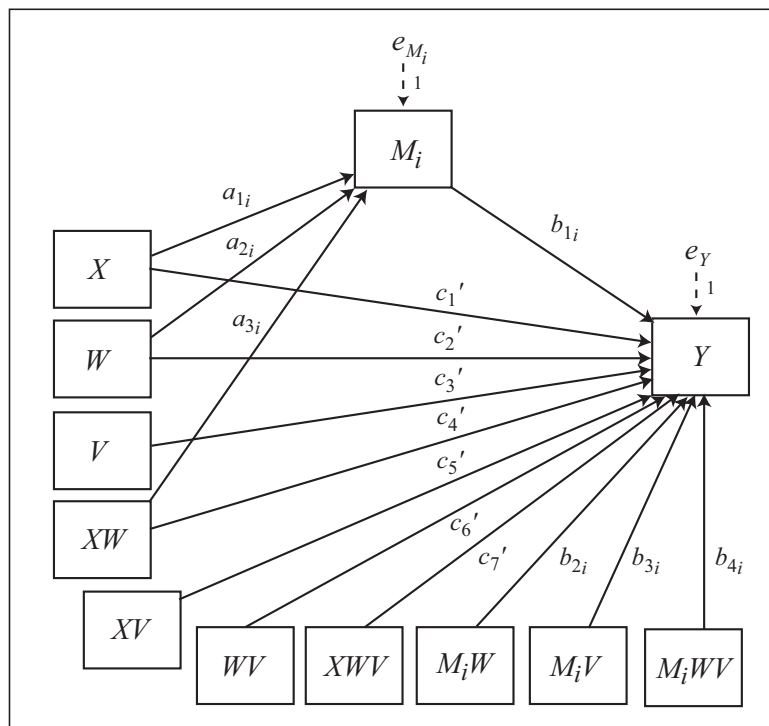
*Model 70 allows up to 10 mediators operating in parallel

Model 71

Conceptual Diagram



Statistical Diagram



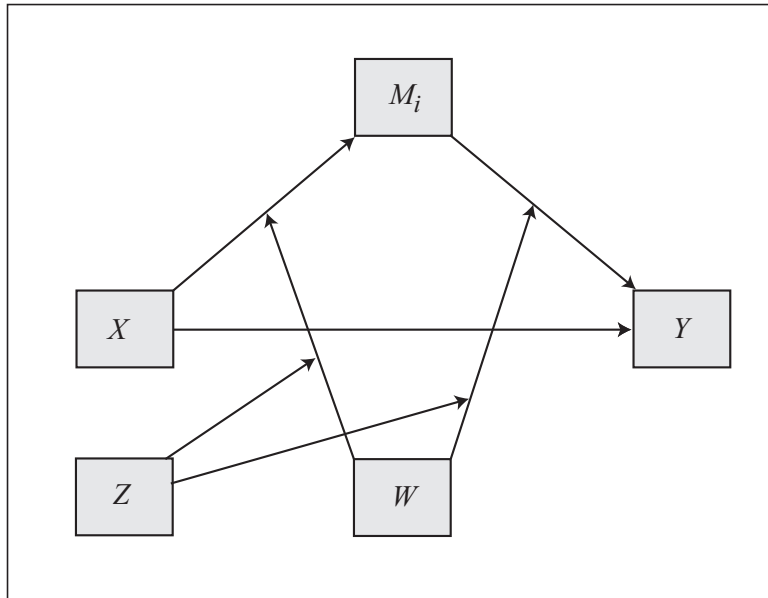
Conditional indirect effect of X on Y through $M_i = (a_{1i} + a_{3i}W)(b_{1i} + b_{2i}W + b_{3i}V + b_{4i}WV)$

Conditional direct effect of X on $Y = c_1' + c_4'W + c_5'V + c_7'WV$

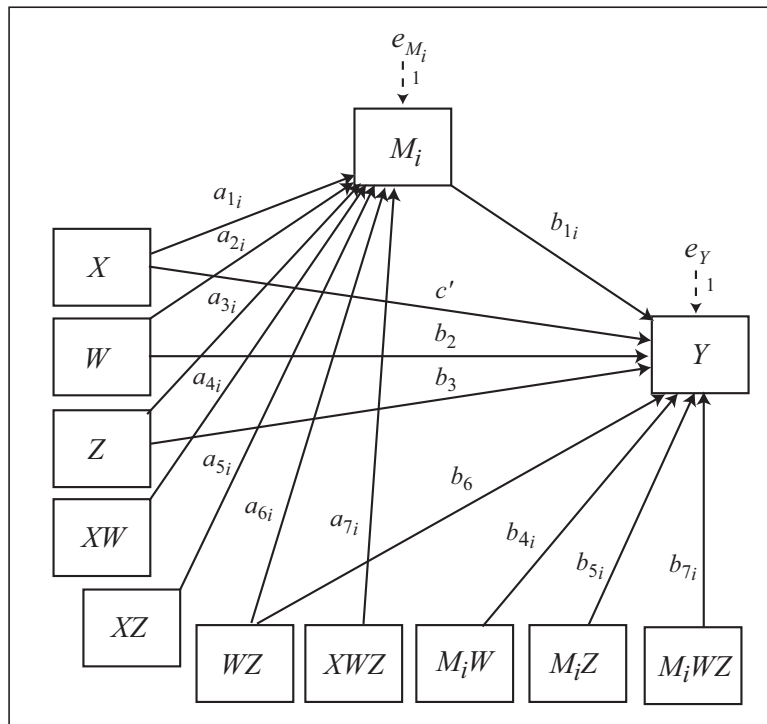
*Model 71 allows up to 10 mediators operating in parallel

Model 72

Conceptual Diagram



Statistical Diagram



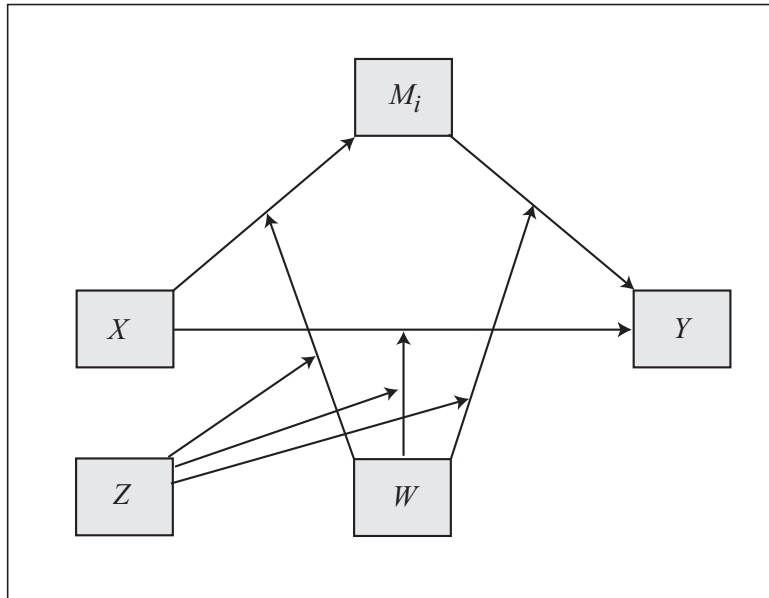
Conditional indirect effect of X on Y through $M_i = (a_{1i} + a_{4i}W + a_{5i}Z + a_{7i}WZ) \cdot (b_{1i} + b_{4i}W + b_{5i}Z + b_{7i}WZ)$

Direct effect of X on Y = c'

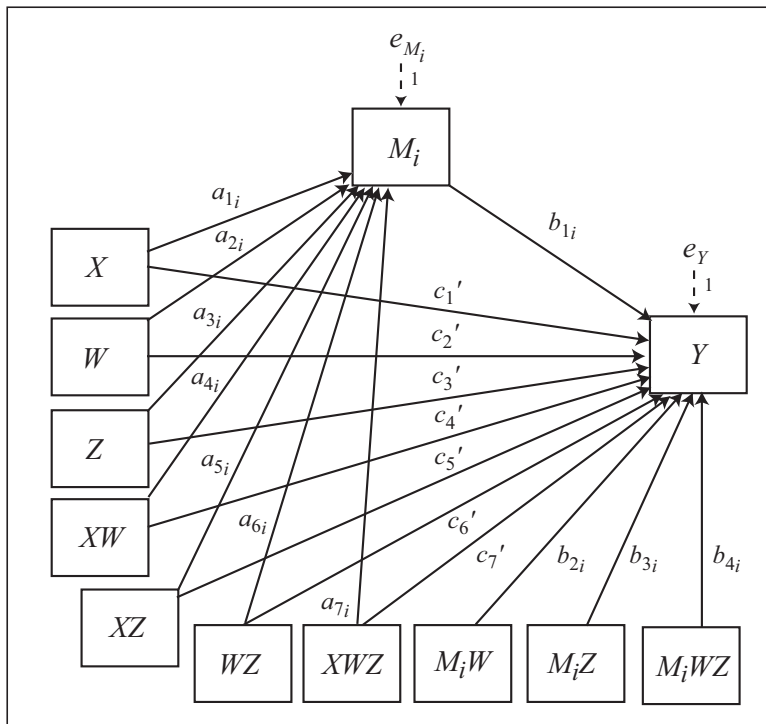
*Model 72 allows up to 10 mediators operating in parallel

Model 73

Conceptual Diagram



Statistical Diagram



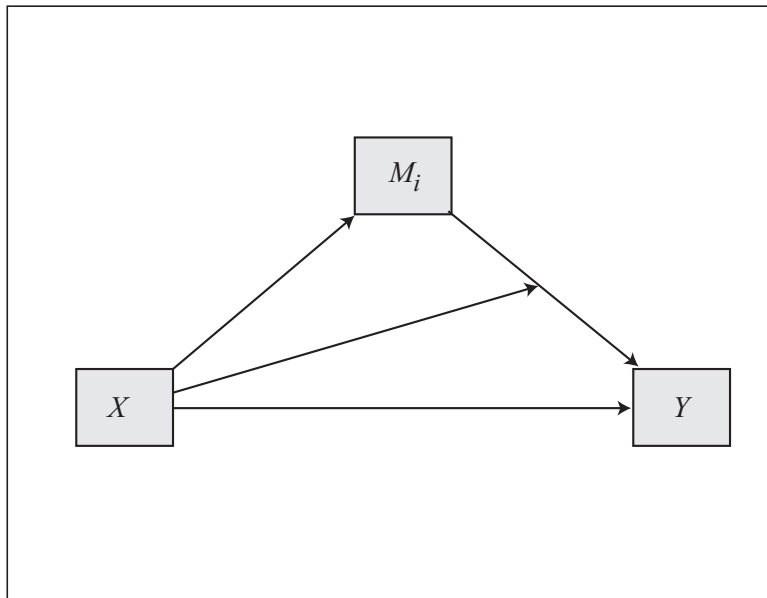
Conditional indirect effect of X on Y through $M_i = (a_{1i} + a_{4i}W + a_{5i}Z + a_{7i}WZ) \cdot (b_{1i} + b_{2i}W + b_{3i}Z + b_{4i}WZ)$

Conditional direct effect of X on Y = $c_1' + c_4'W + c_5'Z + c_7'WZ$

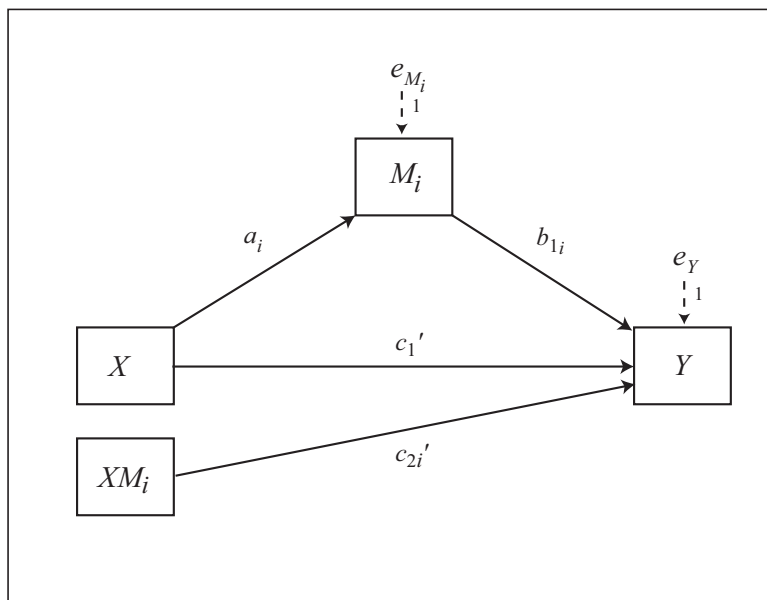
*Model 73 allows up to 10 mediators operating in parallel

Model 74

Conceptual Diagram



Statistical Diagram



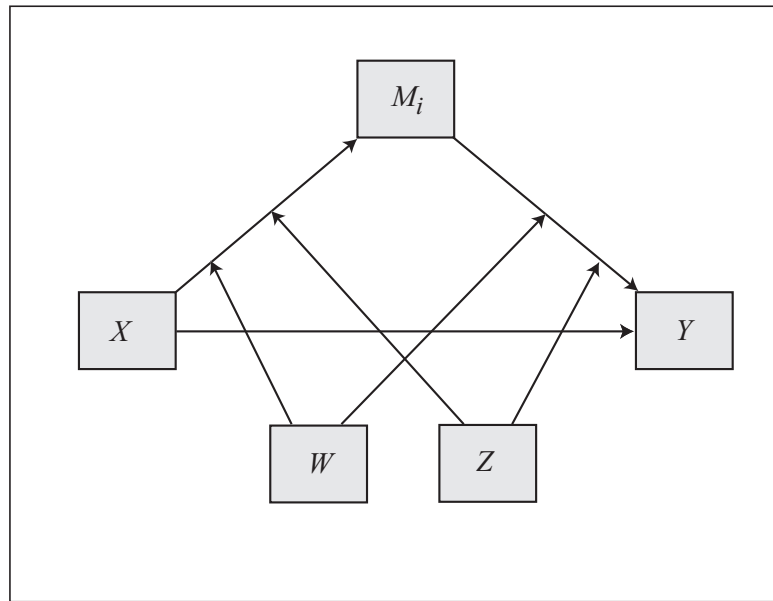
Conditional indirect effect of X on Y through $M_i = a_i (b_{1i} + c_{2i}'X)$
Conditional direct effect of X = $c_1' + c_{2i}'M$

Note: Model 74 allows up to 10 mediators operating in parallel. PROCESS does not produce a table of conditional direct effects for model 74. With only one mediator, use model 1 to generate the conditional direct effects, specifying M as *moderator*.

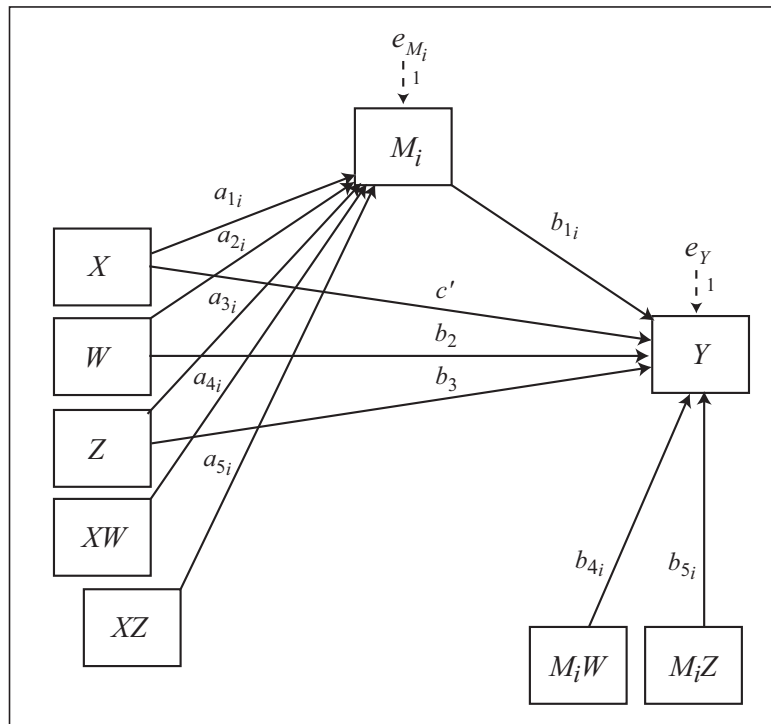
Model 75

(PROCESS v2.05 or later)

Conceptual Diagram



Statistical Diagram



Conditional indirect effect of X on Y through $M_i = (a_{1i} + a_{4i}W + a_{5i}Z)(b_{1i} + b_{4i}W + b_{5i}Z)$

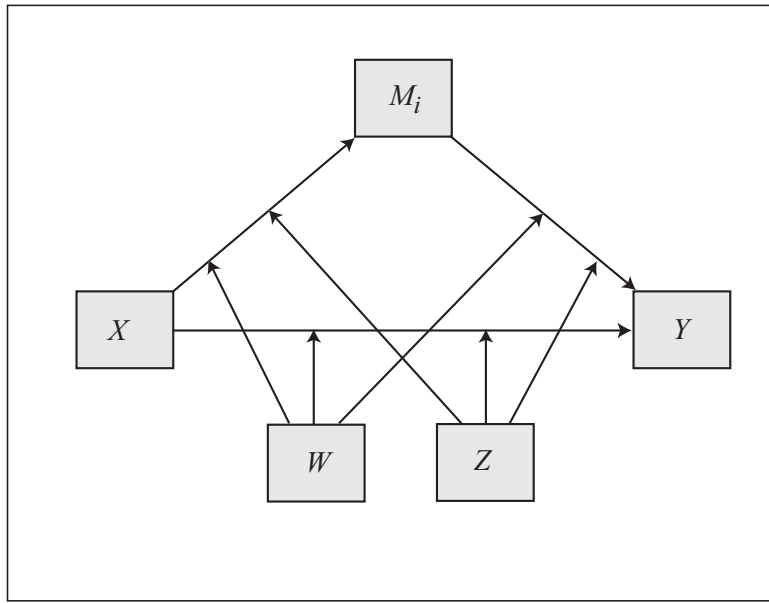
Direct effect of X on Y = c'

*Model 75 allows up to 10 mediators operating in parallel

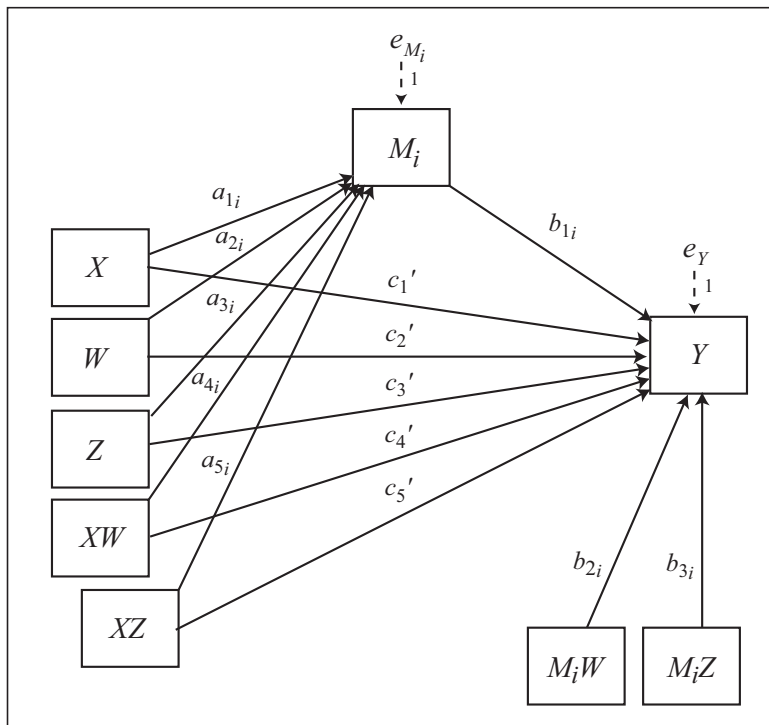
Model 76

(PROCESS v2.05 or later)

Conceptual Diagram



Statistical Diagram



Conditional indirect effect of X on Y through $M_i = (a_{1i} + a_{4i}W + a_{5i}Z)(b_{1i} + b_{2i}W + b_{3i}Z)$

Conditional direct effect of X on $Y = c_1' + c_4'W + c_5'Z$

*Model 76 allows up to 10 mediators operating in parallel